

RoHS

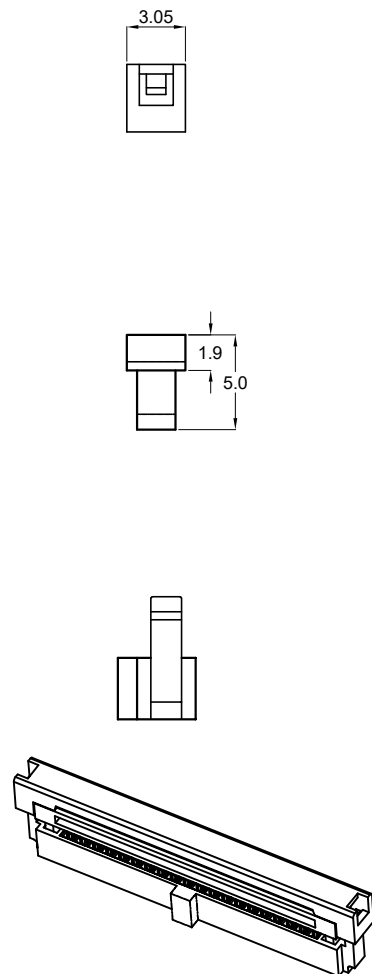
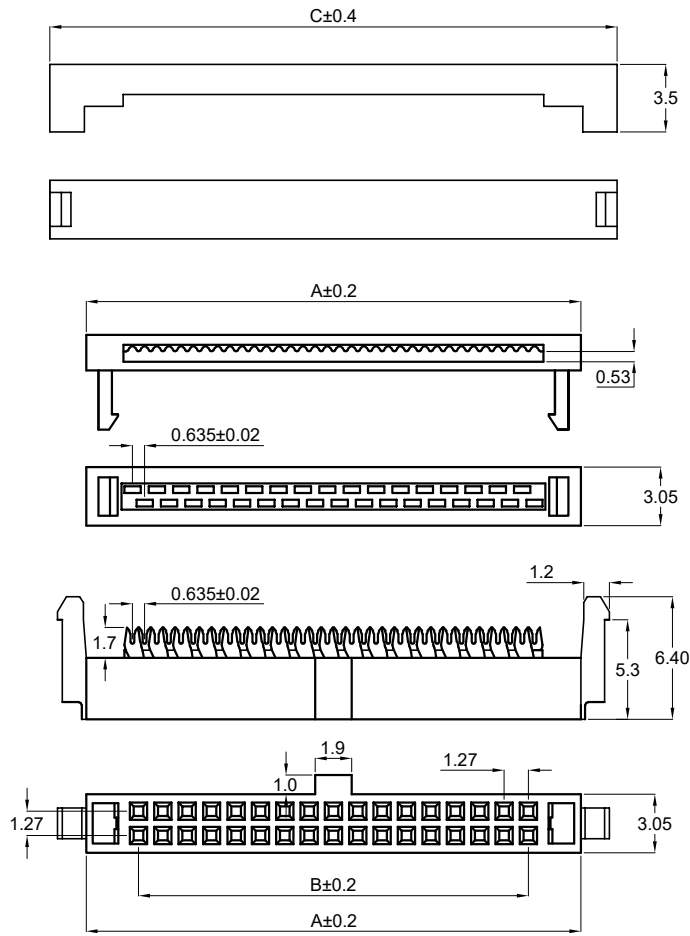
**SPECIFICATION:**

Current Rating: 1A AC,DC  
 Voltage Rating: 250V AC,DC  
 Contact Resistance: 20mΩ Max  
 Withstanding Voltage: 500V AC  
 Insulation Resistance: 100mΩ Min  
 Operating Temp: -40° C~+105° C  
 Insulator Material: PBT,Glass Fiber UL94V-0  
 Contact Plating: Gold or Tin Over Nickel Plated  
 Contact Material: Phosphor bronze

**Ordering Information**

IDC127N3 - 2xx X BK W D 3 303

Type N3=3-piece  
 No.of Pins 210=2x10PIN  
 Plating G=Gold Plated BK=Black S=Tin Plated N=Nickel plating  
 Colour BK=Black  
 Material D=PBT  
 Package 0=PE Bag 1=Tape&Reel 2=Tube 3=Tray  
 W=With Bump N=No Bump



Dimensions			PIN	Dimensions			PIN
A	B	C		A	B	C	
8.00	2.54	11.80	2x3	29.59	24.13	33.39	2X20
9.27	3.81	13.07	2x4	32.13	26.67	35.93	2X22
10.54	5.08	14.34	2x5	35.94	30.48	39.74	2X25
11.81	6.35	15.61	2x6	37.21	31.75	41.01	2X26
13.08	7.62	16.88	2x7	42.29	36.83	46.09	2X30
14.35	8.89	18.15	2x8	44.83	39.37	48.63	2X32
16.89	11.43	20.69	2x10	46.10	40.64	49.90	2X33
19.43	13.97	23.23	2x12	47.37	41.91	51.17	2X34
20.70	15.24	24.50	2x13	48.64	43.18	52.44	2X35
21.97	16.54	25.77	2x14	51.18	45.72	54.98	2X37
23.24	17.78	27.04	2x15	52.45	46.99	56.25	2X38
25.78	20.32	29.58	2x17	54.99	49.53	58.79	2X40

SCONDAR ELECTRONIC LIMITE  
 ENGINEER YAO APPROVED

OPERATION	DRAW	YAO.Q	2016.06.06
X.X ±0.35	DESIGN	LYAO	2016.06.08
X.XX ±0.25	CHECK	Lisa	2016.06.08
X.XXX ±0.15	APPROVE		
Angle ±3°			
DIM TOL			

**SCONDAR**  
 SCONDAR ELECTRONIC LIMITED

SCALE: —  
 UNIT: mm  
 SIZE: A4  
 SHEET: 1/1  
 PROJ.

PART NO. IDC127N3-2xxXBKWD3303  
 TITLE: IDC127 H=3.5 2xxPin With Bump SR PBT Black Tray IDC Socket

AO	2016.06.08	NEW		
REV	DATE	MODIFICATION DESCRIPTION	CHANGE	APPROVE