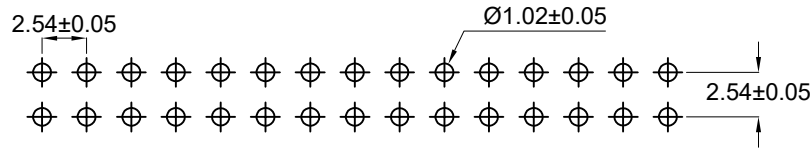
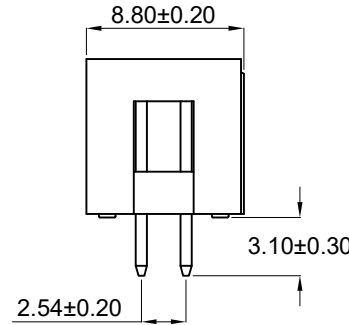
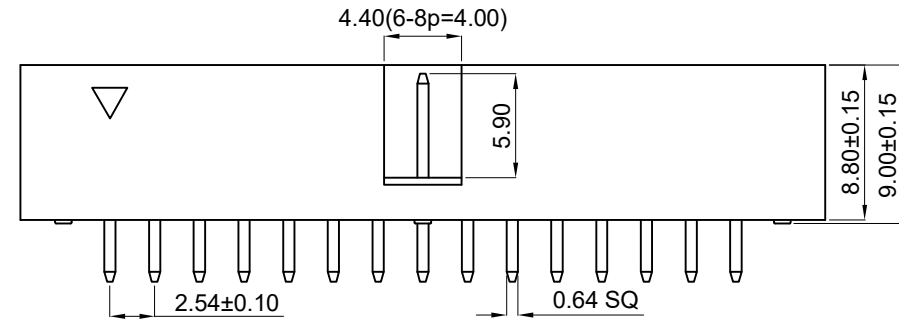
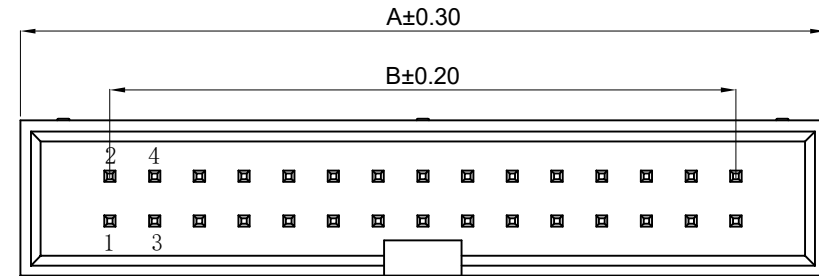


RoHS



Recommended PCB Board Hole Layout

SPECIFICATION:

- Current Rating:3A AC/DC
- Insulation Resistance: 1000MΩ Min
- Contact resistance:20mΩ(Max).
- Withstanding Voltage: 1000VAC(1Min)
- Operation Temperature: -40°C to +105°C

Material:

- Insulator (Housing): PBT + 30%Glass Fiber Polyester (UL94-V0)
- Contact Material:Brass
- Contact Plated : AU or Sn Over Ni

Ordering Information

BH254H 880 ST - 2xx G XX D 3 302

Insulator height 880=8.80mm
 PTYE ST=180°
 No.of Pins 210=2x10PIN
 Plating G=Gold Plated S=Tin Plated
 Color BK=black GR=Gray
 Material D=PBT
 Package 0=PE Bag 1=Tape&Reel 2=Tube 3=Tray

Dimensions		PIN	Dimensions		PIN
A	B		A	B	
15.24	5.08	2X3	43.18	33.02	2X14
17.78	7.62	2X4	45.72	35.56	2x15
20.32	10.16	2X5	48.26	38.10	2X16
22.86	12.70	2X6	50.80	40.64	2x17
25.40	15.24	2X7	53.34	43.18	2X18
27.94	17.78	2X8	58.42	48.26	2x20
30.48	20.32	2x9	63.50	53.34	2x22
30.48	22.86	2x10	71.12	60.96	2x25
33.02	25.40	2X11	83.82	73.66	2x30
35.56	27.94	2x12	88.90	78.74	2x32
38.10	30.48	2x13			

SCONDAR ELECTRONIC LIMITE
 ENGINEER YAO APPROVED

OPERATION	YaoQ	2016.06.15
DESIGN	Lyao	2016.06.16
CHECK	Lisa	2016.06.18
APPROVE		

SCONDAR
 SCONDAR ELECTRONIC LIMITED

SCALE	UNIT	SIZE	SHEET	PROJ.
—	mm	A4	1/1	◆
Part No.	BH254H880ST-2xxGXXD3302			
TITLE:	BH2.54 H=8.80 2xXPin Gold PBT ST Box Header			

AO	2016.06.18	NEW		
REV	DATE	MODIFICATION DESCRIPTION	CHANGE	APPROVE