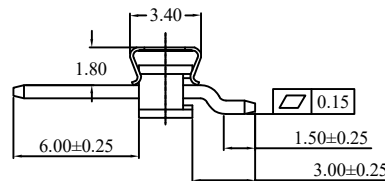
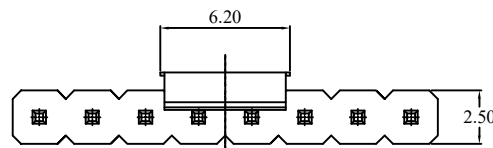
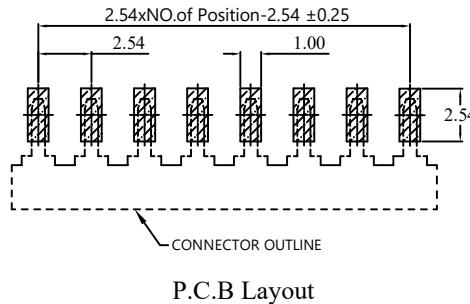
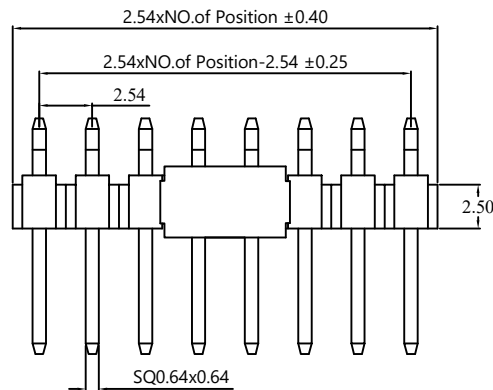


RoHS



SPECIFICATION:

- Current Rating:3Amps
 - Insulation Resistance: 1000MΩ Min
 - Contact Resistance:20mΩ Max
 - Withstanding Voltage: 550VAC(1Min)
 - Max Processing Temp:230°-260°for 10s
 - Operation Temperature: -25°C to +105°C
- Material:**
- Insulator (Housing):PA6T (UL94V-0)
 - Contacts:Brass
 - Contact Plated:Gold Plated

Ordering Information

PH254H250 RMT-1xx G A 1 311

Insulator height 250=2.50mm No.of Pins 220=2x20PIN Plating G=Gold Plated S = Tin Plated Material A=PA6T Package 1=Tape&Reel

SMT Right angle type

SCONDAR ELECTRONIC LTD
ENGINEER L1U APPROVED

OPERATION	DRAW	YaoQ	2016.04.12
X.X ±0.35	DESIGN	LYao	2016.04.13
X.XX ±0.25			
X.XXX ±0.15	CHECK	Lisa	2016.04.16
Angle ± 3'	APPROVE		
DIM TOL			

SCALE -

UNIT mm

SIZE A4

SHEET 1/1

PROJ.

TITLE: PH254H250RMT-1xxGA1311

PH254 WR SMT H2.5 PA6.0 PC1.50 Gold flash PA6T 2XXP Pin header

AO	NEW											
REV	DATE	MODIFICATION DESCRIPTION	CHANGE	APPROVE								