

RoHS

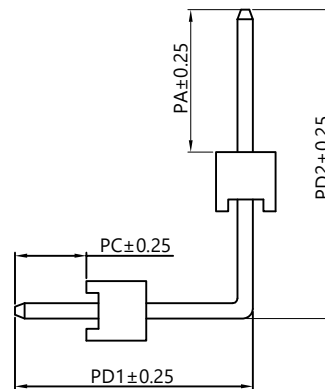
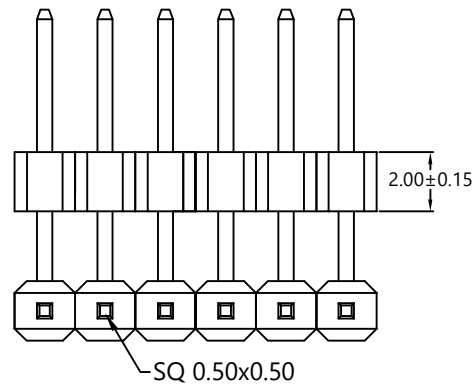
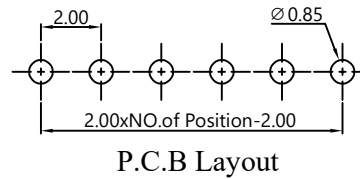
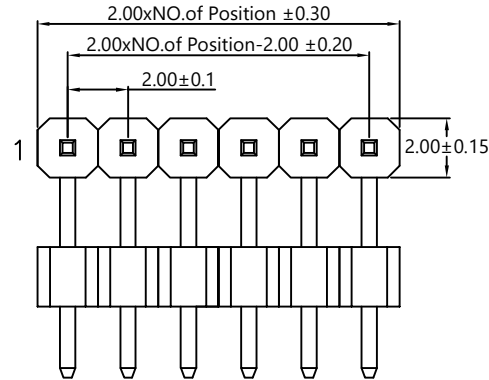
受控

**SPECIFICATION:**

- Current Rating:1.5Amps
- Insulation Resistance: 1000MΩ Min
- Contact Resistance:20mΩ Max
- Withstanding Voltage: 500VAC(1Min)
- Max Processing Temp:230°-260°for 10 s
- Operation Temperature: -25℃ to +105℃

**Material:**

- Insulator (Housing):PA6T (UL94V-0)
- Contacts:Brass
- Contact Plated:Gold Plated



**Ordering Information**

PH200DH200 RTF -1xx G A 0 301

Insulator height  
200=2.00mm

No. of Pins  
120=1x20PIN

Plating  
G=Gold Plated  
S=Tin Plated

Material  
A=PA6T

Package  
0=PE Bag

**Dimension antitheses list**

ITEM	PA	PD2	PC	PD1	L
Alternate	4.00	11.00	3.00	10.00	21.00

SCONDAR ELECTRONIC LTD  
ENGINEER LIU APPROVED

					OPERATION	DRAW	YaoQ	2013.06.11	SCALE	-	 SCONDAR ELECTRONIC LIMITED
					X.X ±0.35	DESIGN	LYao	2013.06.11	UNIT	mm	
					X.XX ±0.25	CHECK	Lisa	2013.06.12	SIZE	A4	
					X.XXX ±0.15	APPROVE			SHEET	1/1	
AO					Angle ± 3'				PART NO.		PH200DH200RTF-1xxGA0301
REV	DATE	MODIFICATION DESCRIPTION	CHANGE	APPROVE	DIM TOL				PROJ.	TITLE:	PH2.00 DH2.00mm RT Gold flash PA6T 1xxP Pin header