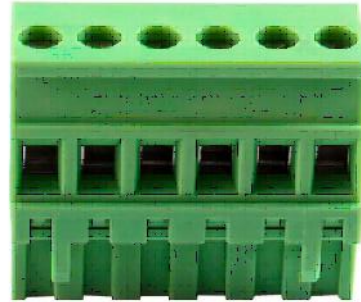
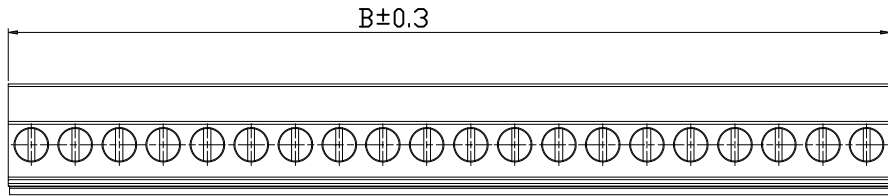
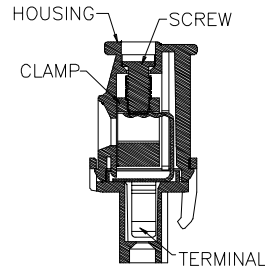
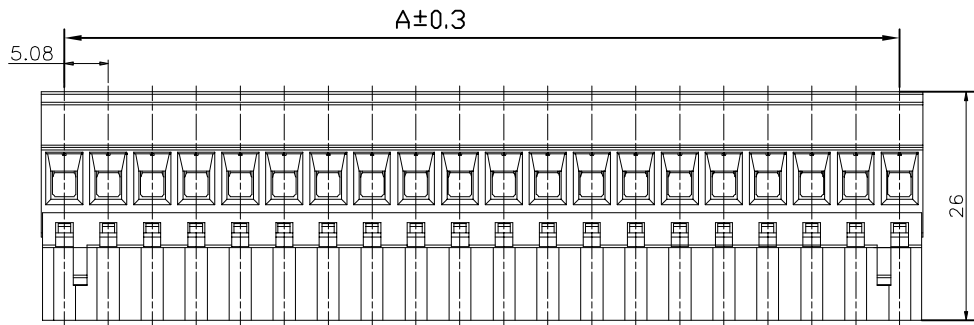


RoHS



NOTE 1:
UL Standard
1. Rated voltage/Rated current:300V/15A
2. Withstanding Voltage:AC1600V/Min
3. Wire range:28~12AWG
IEC Standard
1. Rated voltage/Rated current: 320V/10A
2. Wire range : 2.5mm²
NOTE 2:
1. Pitch: 5.08mm
2. Operating temperature: -40°C~+105°C
3. Stripping length: 7~8mm
4. RoHS Compliance
5. Rated torque:3.54[Lb. in]

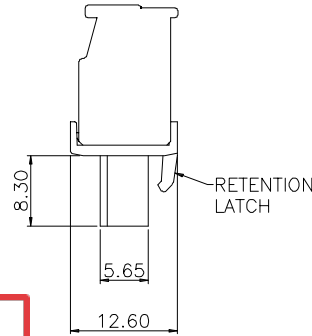
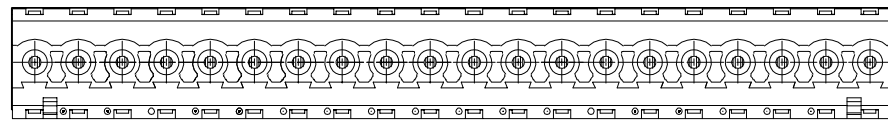


Ordering Information

SCT2EDGKB - 5.08-XX B 4 650

Series NO. Pitch No of Pins See Table Material B=PA66 V0 COLUR
1. Gray 2. Blue 3. Black
4. Green 5. Orang 6. Red
7. Yellow 8. White
9. Transparent

Dimensions		Part NO	PIN
A	B		
5.08	10.16	SCT2EDGKB-5.08-02B4650	2
10.16	15.24	SCT2EDGKB-5.08-03B4650	3
15.24	20.32	SCT2EDGKB-5.08-04B4650	4
20.32	25.40	SCT2EDGKB-5.08-05B4650	5
25.40	30.48	SCT2EDGKB-5.08-06B4650	6
30.48	35.56	SCT2EDGKB-5.08-07B4650	7
35.56	40.64	SCT2EDGKB-5.08-08B4650	8
40.64	45.72	SCT2EDGKB-5.08-09B4650	9
45.72	50.80	SCT2EDGKB-5.08-10B4650	10
50.80	55.88	SCT2EDGKB-5.08-11B4650	11
55.88	60.96	SCT2EDGKB-5.08-12B4650	12
60.96	66.04	SCT2EDGKB-5.08-13B4650	13
66.04	71.12	SCT2EDGKB-5.08-14B4650	14
71.12	76.20	SCT2EDGKB-5.08-15B4650	15
76.20	81.28	SCT2EDGKB-5.08-16B4650	16
81.28	86.36	SCT2EDGKB-5.08-17B4650	17
86.36	91.44	SCT2EDGKB-5.08-18B4650	18
91.44	96.52	SCT2EDGKB-5.08-19B4650	19
96.52	101.60	SCT2EDGKB-5.08-20B4650	20



东莞市晟凯达电子科技有限公司
工程专用章

受控

ITEM	NAMF OF PART	MATFRIAL	NOTFS	P距方向公差 (mm) Pitch range in mm			其他尺寸公差 mm Nominal dimension range in mm					0.1/10
				≤6	6 ~ 10	10 ~ 24	≤30	30 ~ 60	60 ~ 100	100 ~ 150	> 150	
4	(Cage) 方盒	Copper alloy 铜合金	(Ni plated) 镀镍	±0.15	±0.20	±0.30	±0.20	±0.30	±0.50	±0.70	±1.00	±1'
3	(Contact) 触点	Copper alloy 铜合金	(Sn plated) 镀锡									
2	(Screw) 螺丝 M3	Steel 钢	(Ni plated) 镀镍									
1	(Housing) 塑件	PA66	UL94V-0									

DRAW	Zhong	2020.08.02	SCALE	-	 SCONDAR ELECTRONIC LIMITED
DESIGN			UNIT	mm	
CHECK	Lisa	2020.08.02	SIZE	A4	
APPROVE	Allen	2020.08.02	SHEET	1/1	
PART NO.		SCT2EDGKB-5.08-XXB4650		TITLE:	