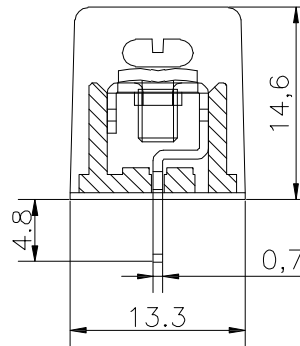
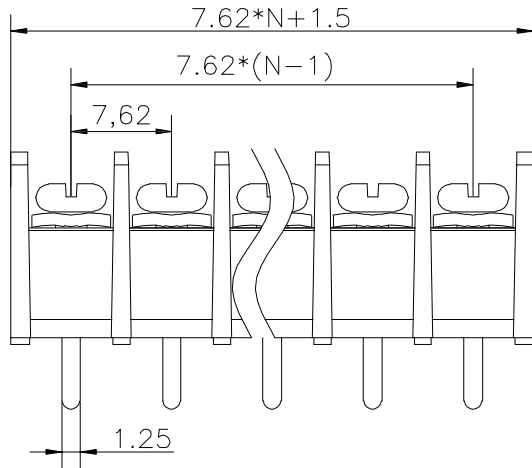
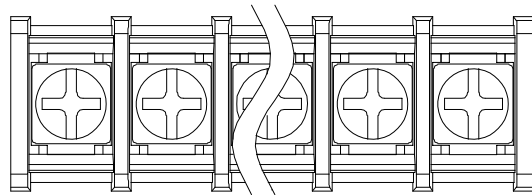


RoHS



NOTE :

UL标准 (UL Standard)

1. 额定电压与电流: 300V/20A

Rated voltage/Rated current: 300V/20A

2. 功频耐压: AC1600V/Min

Withstanding Voltage: AC1600V/Min

3. 线径范围: 22~14AWG

Wire range: 22~14AWG

材质及电镀 (Material)

1. 端子: 黄铜. 0.7T镀锡

Terminal: Brass. 0.7T Tin Plated

2. 螺丝: M3 钢, 镀镍

Screw: M3 Steel Ni-Plated

3. 塑件: PA66. 94V-0

Housing: PA66. 94V-0

Ordering Information

SCT25C - 7.62-XX B 3 650

Series NO. Pitch No. of Pins See Table Material B=PA66 V0 COLOUR  
 1. Gray 2. Blue  
 3. Black 4. Green  
 5. Orange 6. Red  
 7. Yellow 8. White  
 9. Transparent

东莞市晟凯达电子科技有限公司  
 工程专用章

受控

						OPERATION	DRAW	Zhong	2020.08.02	SCALE	-	 SCONDAR ELECTRONIC LIMITED	
						X.X ±0.35	DESIGN			UNIT	mm		
						X.XX ±0.25		CHECK	Lisa	2020.08.02	SIZE		A4
AO	2020.08.02	NEW				X.XXX ±0.15	APPROVE	Allen	2020.08.02	SHEET	1/1		PART NO. SCT25C-7.62-XXB3650
REV	DATE	MODIFICATION DESCRIPTION			CHANGE	APPROVE	DIM	TOL		PROJ.	⌀	TITLE:	/