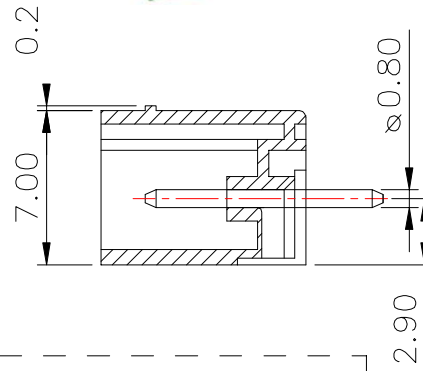
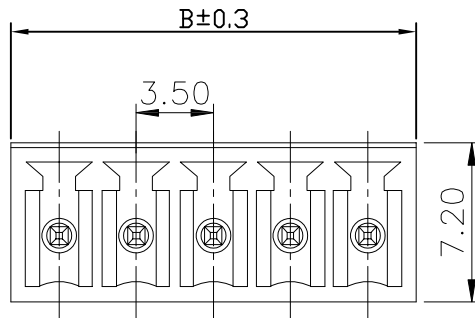


RoHS



- NOTE 1:
UL Standard
1. Rated voltage/Rated current: 300V/8A
2. Withstanding Voltage: AC1600V/Min
3. Wire range: 28~18AWG
IEC Standard
1. Rated voltage/Rated current: 250V/7A
NOTE 2:
1. Pitch: 3.5mm
2. Operating temperature: -40°C~+105°C
3. Stripping length: 7~8mm
4. RoHS Compliance
5. Rated torque: 3.54[Lb. in]

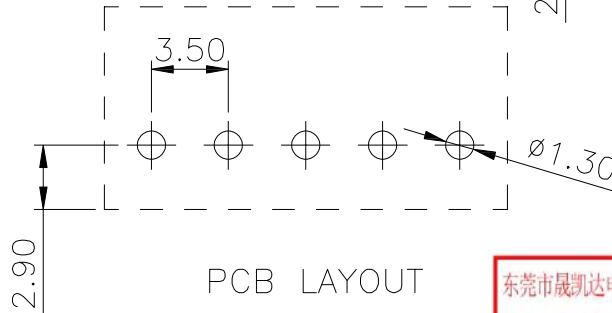
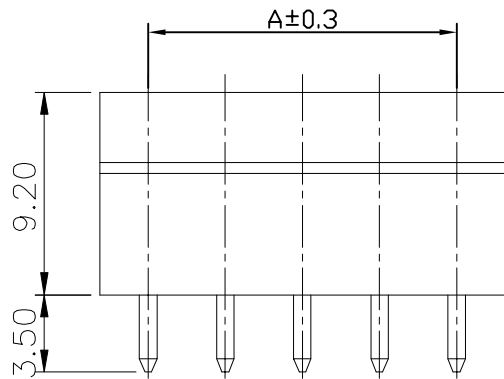


Ordering Information

SCT15EDGVC -3.5-XX B 4 650

Series NO. Pitch No. of Pins See Table Material B=PA66 V0 COLOUR
1. Gray 2. Blue
3. Black 4. Green
5. Orange 6. Red
7. Yellow 8. White
9. Transparent

Dimensions		Part No	PIN
A	B		
3.50	8.30	SCT15EDGK-3.81-02B4650	2
7.00	11.80	SCT15EDGK-3.81-03B4650	3
10.50	15.30	SCT15EDGK-3.81-04B4650	4
14.00	18.80	SCT15EDGK-3.81-05B4650	5
17.50	22.30	SCT15EDGK-3.81-06B4650	6
21.00	25.80	SCT15EDGK-3.81-07B4650	7
24.50	29.30	SCT15EDGK-3.81-08B4650	8
28.00	32.80	SCT15EDGK-3.81-09B4650	9
31.50	36.30	SCT15EDGK-3.81-10B4650	10
35.00	39.80	SCT15EDGK-3.81-11B4650	11
38.50	43.30	SCT15EDGK-3.81-12B4650	12
42.00	46.80	SCT15EDGK-3.81-13B4650	13
45.50	50.30	SCT15EDGK-3.81-14B4650	14
49.00	53.80	SCT15EDGK-3.81-15B4650	15
52.50	57.30	SCT15EDGK-3.81-16B4650	16
56.00	60.80	SCT15EDGK-3.81-17B4650	17
59.50	64.30	SCT15EDGK-3.81-18B4650	18
63.00	67.80	SCT15EDGK-3.81-19B4650	19
66.50	71.30	SCT15EDGK-3.81-20B4650	20



PCB LAYOUT

东莞市晟凯达电子科技有限公司
工程专用章

受控

4				Pitch range in mm			Nominal dimension range in mm							DRAW	Zhong	2020.08.02	SCALE	-	 SCONDAR ELECTRONIC LIMITED	
3				≤6	6~10	10~24	≤30	30~60	60~100	100~150	≥150	0.1/10		DESIGN			UNIT	mm		
2	(Pin header) PiN针	Brass 黄铜	Tin Platedq 镀锡											CHECK	Lisa	2020.08.02	SIZE	A4		
1	(Housing) 塑件	PA66	UL94V-0											APPROVE	Allen	2020.08.02	SHEET	1/1		PART NO.
TEM	NAMF OF PART	MATFRIAL	NOTFS	±0.15	±0.20	±0.30	±0.20	±0.30	±0.50	±0.70	±1.00	±1'					PROJ.	⌀	TITLE:	/