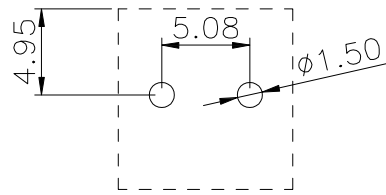
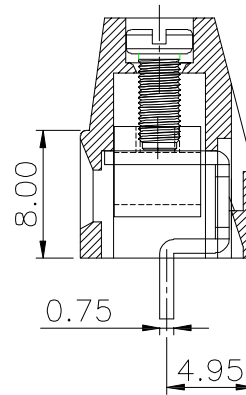
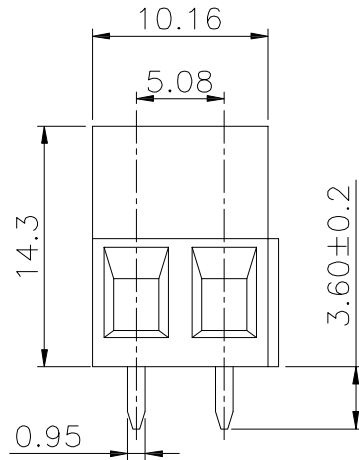
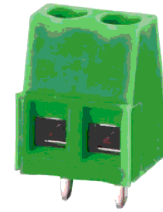
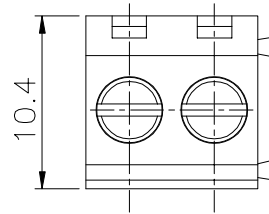


RoHS



PCB LAYOUT

NOTE 1:

UL Standard

1. Rated voltage/Rated current: 300V/10A

2. Withstanding Voltage: AC1600V/Min

3. Wire range: 30~12AWG

IEC Standard

1. Rated voltage/Rated current: 250V/18A

2. Wire range : 0.5~2.5mm²

NOTE 2:

1. Pitch: 5.08mm

2. Operating temperature: -40°C~+105°C

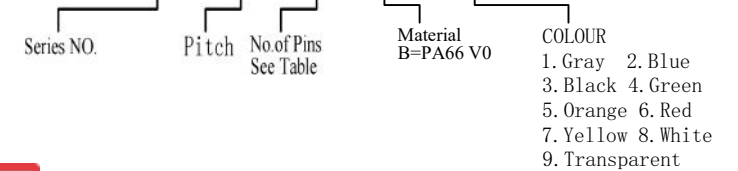
3. Stripping length: 7~8mm

4. RoHS Compliance

5. Rated torque: 4.43 [Lb. in]

Ordering Information

SCT128V - 5.08-02 B 4 650



东莞市晟凯达电子科技有限公司
工程专用章

受控

4	(Cage) 方盒	Copper alloy 铜合金	(Ni plated) 镀镍	Pitch 范围公差 (mm) Pitch range in mm	其他尺寸公差 mm Nominal dimension range in mm							DRAW	Zhong	2020.08.02	SCALE	-	SCONDAR SCONDAR ELECTRONIC LIMITED		
3	(Contact) 触点	Copper alloy 铜合金	(Sn plated) 镀锡		≤6	6 ~ 10	10 ~ 24	≤30	30 ~ 60	60 ~ 100	100 ~ 150	≥150	0.1/10	DESIGN				UNIT	mm
2	(Screw) 螺丝 M3	Steel 钢	(Ni plated) 镀镍										CHECK	Lisa	2020.08.02	SIZE	A4		
1	(Housing) 塑件	PA66	UL94V-0										APPROVE	Allen	2020.08.02	SHEET	1/1	PART NO.	SCT128V-5.08-02B4650
TEM	NAMF OF PART	MATFRIAL	NOTFS	±0.15	±0.20	±0.30	±0.20	±0.30	±0.50	±0.70	±1.00	±1'	PROJ.	Allen	2020.08.02	PROJ.	◆	TITLE:	/