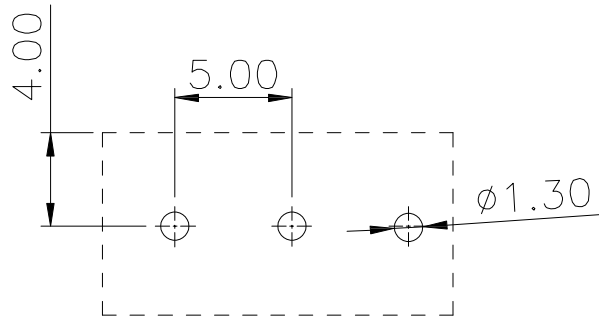
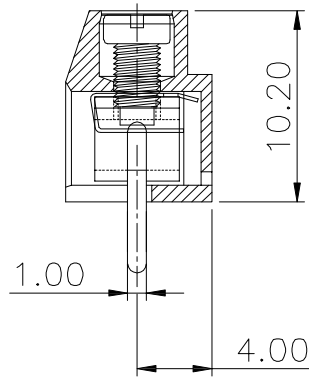
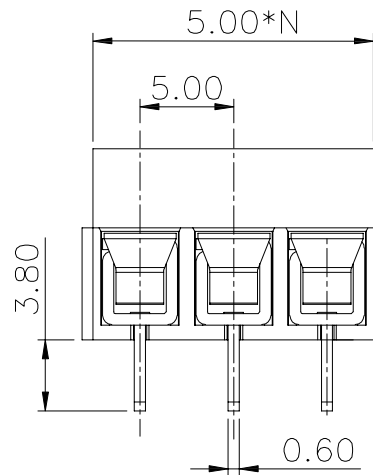
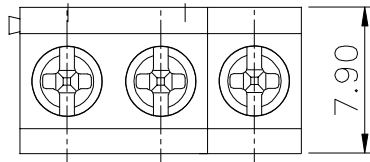


RoHS



PCB LAYOUT

NOTE 1:

UL Standard

1. Rated voltage/Rated current: 300V/10A

2. Withstanding Voltage: AC1600V/Min

3. Wire range: 26~14AWG

IEC Standard

1. Rated voltage/Rated current: 280V/18A

2. Wire range : 0.5~2.5mm²

NOTE 2:

1. Pitch: 5.00mm

2. Operating temperature: -40℃~+105℃

3. Stripping length: 7~8mm

4. RoHS Compliance

5. Rated torque: 4.43 [Lb. in]

Ordering Information

SCT126V - 5.00-03 B 4 650

Series NO.

Pitch

No. of Pins
See Table

Material
B=PA66 V0

COLOUR

- 1. Gray 2. Blue
- 3. Black 4. Green
- 5. Orange 6. Red
- 7. Yellow 8. White
- 9. Transparent

东莞市晟凯达电子科技有限公司
工程专用章

受控

4	(Cage) 方盒	Copper alloy 铜合金	(Ni plated) 镀镍	Pitch range in mm	Nominal dimension range in mm							0.1/10	DRAW	Zhong	2020.08.02	SCALE	-	 SCONDAR ELECTRONIC LIMITED
3	(Contact) 触点	Copper alloy 铜合金	(Sn plated) 镀锡		≤6	6~10	10~24	≤30	30~60	60~100	100~150		>150	DESIGN			UNIT	
2	(Screw) 螺丝 M3	Steel 钢	(Ni plated) 镀镍	±0.15	±0.20	±0.30	±0.20	±0.30	±0.50	±0.70	±1.00	CHECK	Lisa	2020.08.02	SIZE	A4		
1	(Housing) 塑件	PA66	UL94V-0								APPROVE	Allen	2020.08.02	SHEET	1/1	PART NO.	SCT126V-5.00-03B4650	
TEM	NAMF OF PART	MATFRIAL	NOTFS								PROJ.			TITLE:				