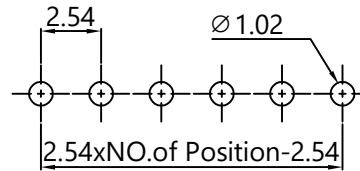
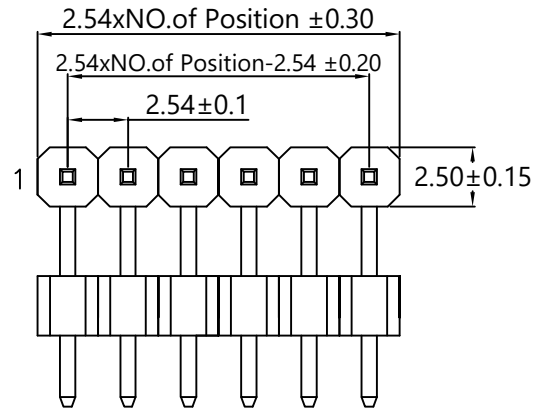
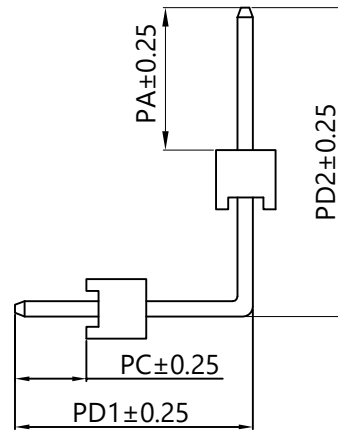
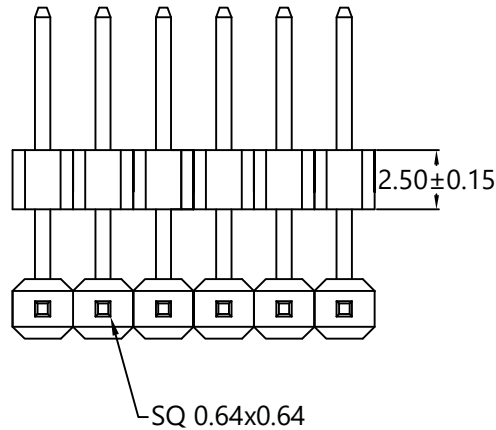


RoHS

受控



P.C.B Layout



SPECIFICATION:

- Current Rating:3Amps
- Insulation Resistance: 1000MΩ Min
- Contact Resistance:20mΩ Max
- Withstanding Voltage: 550VAC(1Min)
- Max Processing Temp:230°-260°for 10 s
- Operation Temperature: -25℃ to +105℃

Material:

- Insulator (Housing):PA6T (UL94V-0)
- Contacts:Brass
- Contact Plated:Gold Plated

Ordering Information

PH254DH250 RTF-1xx G A 0 301

Insulator height
250=2.50mm

No.of Pins
120=1x20PIN

Plating
G=Gold Plated
S=Tin Plated

Material
A=PA6T

Package
0=PE Bag
1=Tape&Reel
2=Tube
3=Tray

Dimension antitheses list

ITEM	PA	PD2	PC	PD1	L
Alternate	6.00	13.00	3.00	10.00	22.00

SCONDAR ELECTRONIC LTD
ENGINEER LIU APPROVED

OPERATION	DRAW	LYao	2013.06.11	SCALE	-
X.X ±0.35	DESIGN	Lisa	2013.06.12	UNIT	mm
X.XX ±0.25				SIZE	A4
X.XXX ±0.15	CHECK			SHEET	1/1
Angle ± 3'	APPROVE			PROJ.	☯
DIM TOL				TITLE:	PH254 DH2.50mm RTF Gold flash PA6T 1xxP Pin header

SCONDAR
SCONDAR ELECTRONIC LIMITED

AO	2021.06.08	NEW																	
REV	DATE	MODIFICATION DESCRIPTION	CHANGE	APPROVE	OPERATION	DRAW	LYao	SCALE	UNIT	SIZE	SHEET	PROJ.	TITLE:	PH254 DH2.50mm RTF Gold flash PA6T 1xxP Pin header					