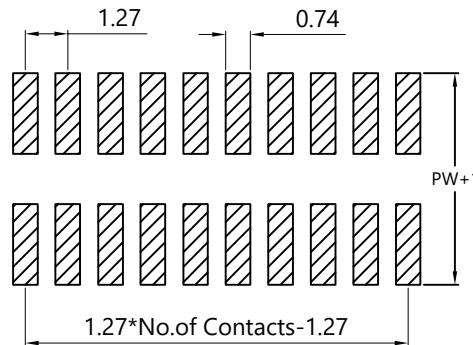
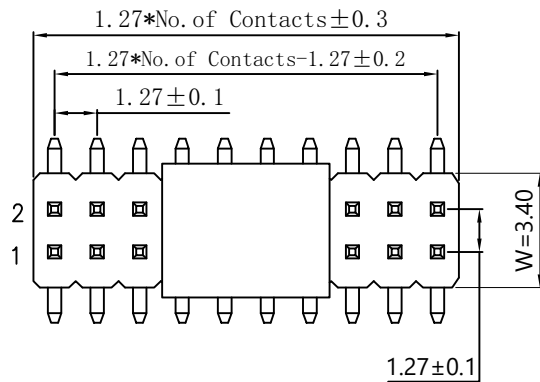
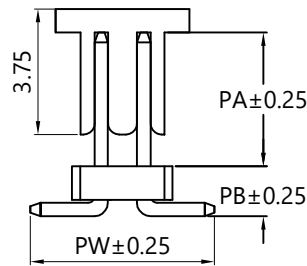
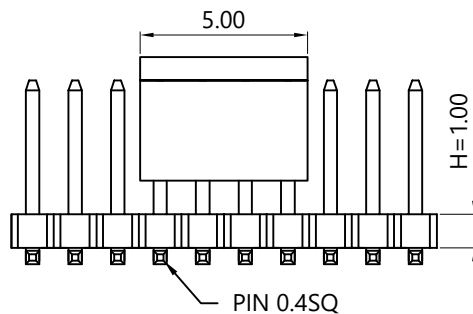


RoHS

受控



PCB LAYOUT



SPECIFICATION:

- Current Rating: 1A AC/DC
- Contact resistance: 20mΩ(Max).
- Insulation Resistance: 1000MΩ Min
- Withstanding Voltage: 500VAC(1Min)
- Operation Temperature: -40°C to +105°C
- Max Processing Temp: 230°C-260°C for 30°C-60°C seconds
- Material:
- Insulator : Glass filled PA6T (UL94V-0), black
- Contacts: Brass

Ordering Information

PH127 H xxx SMT - 2xx G A 1 301

Insulator height  
100=1.00mm  
150=1.50mm  
200=2.00mm  
250=2.50mm

No. of Pins  
210=2X10P

Plating  
G=Gold Plated  
G2=Gold 2U"  
G3=Gold 3U"  
G10=Gold 10U"  
T=Tin Plated

Material  
A=PA6T

Package  
0=PE Bag  
1=Tape&Reel  
2=Tube  
3=Tray

Dimension antitheses list					
PA	PB	PW	W	L	H
2.00	1.50	5.50	3.40	5.20	1.00
3.00	1.50	5.50	3.40	6.20	1.00
4.00	1.50	5.50	3.40	7.20	1.00
4.00	2.00	5.50	3.40	7.80	1.50
4.00	2.50	5.50	3.00	8.20	2.00
4.00	3.00	5.50	3.00	8.80	2.50

		SCONDAR ELECTRONIC LTD ENGINEER LIU APPROVED				OPERATION	DRAW	Yang	2017.3.21	SCALE	-	
						X.X	±0.35	DESIGN	Lyao	2017.3.21	UNIT	mm
						X.XX	±0.25				SIZE	A4
						X.XXX	±0.15	CHECK	Lisa	2017.3.25	SHEET	1/1
AO	2021.5.23	NEW				Angle	± 3'	APPROVE			PART NO.	PH127HxxxSMT-2xxGA1301
REV	DATE	MODIFICATION DESCRIPTION		CHANGE	APPROVE	DIM	TOL		PROJ.	⊕	TITLE:	PH1.27 SMT PW5.5 Gold flash PA6T 2xxP with CAP

