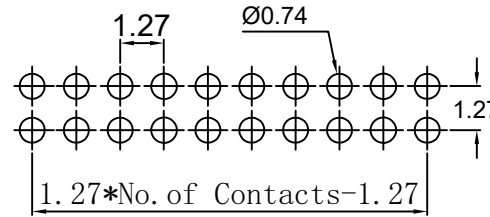
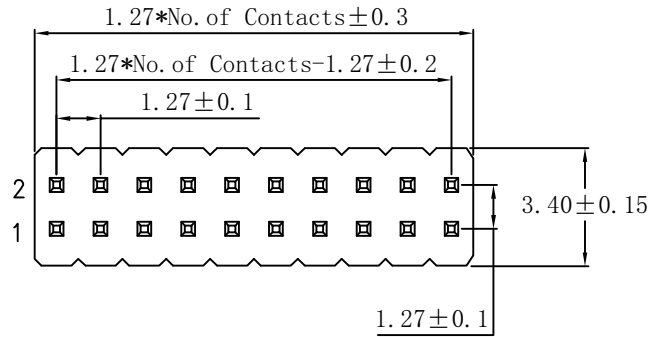


RoHS

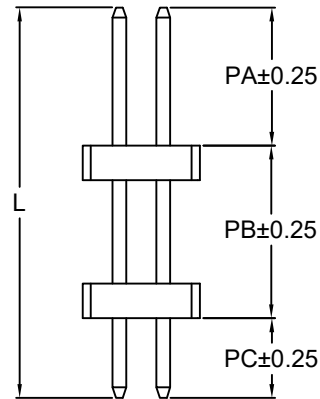
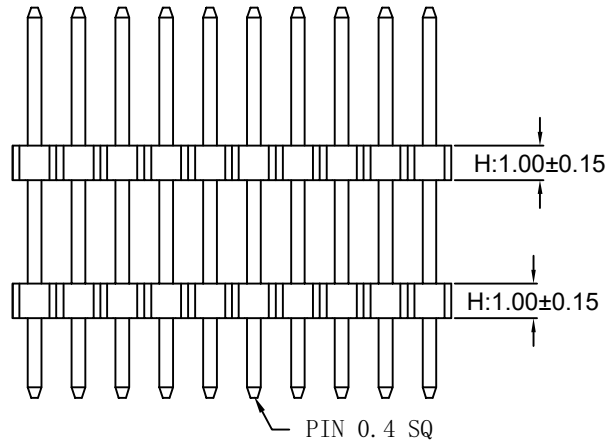
受控

SPECIFICATION:

- Current Rating: 1A AC/DC
- Contact resistance: 20mΩ(Max).
- Insulation Resistance: 1000MΩ Min
- Withstanding Voltage: 500VAC(1Min)
- Operation Temperature: -40°C to +105°C
- Max Processing Temp: 230°C-260°C for 30°C-60°C seconds
- Material:
- Insulator : Glass filled PA6T (UL94V-0), black
- Contacts: Brass



PCB LAYOUT



Ordering Information

PH127DH100 ST- 2xx G A 0 301

Insulator height
100=1.00mm

No. of Pins
220=2X20PIN

Plating
G=Gold Plated
T=Tin Plated
G2=Gold 2u"
G10=Gold 10u"

Material
A=PA6T

Package
0=PE Bag
1=Tape&Reel
2=Tube
3=Tray

Dimension antitheses list

ITEM	PA	PB	PC	L
Alternate	3.90	5.00	2.30	11.20

SCONDAR ELECTRONIC LTD
ENGINEER LIU APPROVED

OPERATION	DRAW	Yang	2017.4.09
X.X ±0.35	DESIGN	Liao	2017.4.09
X.XX ±0.25			
X.XXX ±0.15	CHECK	Lisa	2017.4.13
Angle ± 3'	APPROVE		
DIM TOL			

SCALE	UNIT	SIZE	SHEET	PROJ.	TITLE:
-	mm	A4	1/1	☉	PH127DH100ST-2xxGA0301
					PH1.27 ST DH1.0 PA3.9 PB5.0 PC2.3 L11.2 Gold flash PA6T 2XXP Pin header

SCONDAR
SCONDAR ELECTRONIC LIMITED

REV	DATE	MODIFICATION DESCRIPTION	CHANGE	APPROVE
AO	2021.5.17	NEW		