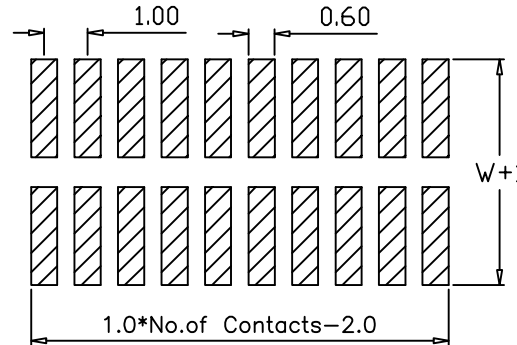
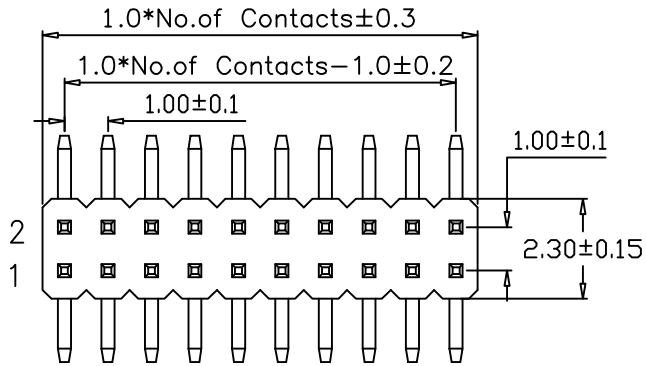


RoHS

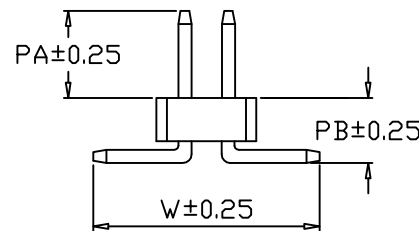
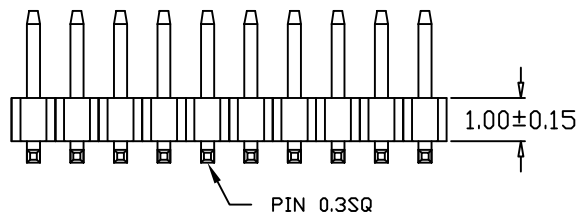
受控

SPECIFICATION:

- Current Rating: 1A AC/DC
- Contact resistance: 20mΩ(Max).
- Insulation Resistance: 1000MΩ Min
- Withstanding Voltage: 500VAC(1Min)
- Operation Temperature: -40°C to +105°C
- Max Processing Temp: 230°C-260°C for 30°C-60°C seconds
- Material:
- Insulator : Glass filled PA6T (UL94V-0), black
- Contacts: Brass



PCB LAYOUT



Ordering Information

PH100Hxxx SMT - 2xx G A 1 301

Insulator height
100=1.00mm
150=1.50mm

No. of Pins
210=2x10PIN

Plating
G=Gold Plated
T=Tin Plated
G2=Gold 2u"
G10=Gold 10u"

Material
A=PA6T

Package
0=PE Bag
1=Tape&Reel
2=Tube
3=Tray

Dimension antitheses list

PA	PB	W	L	H
2.00	1.50	5.20	5.20	1.00
2.00	2.00	5.20	5.70	1.50

SCONDAR ELECTRONIC LTD
ENGINEER LIU APPROVED

REV	DATE	MODIFICATION DESCRIPTION	CHANGE	APPROVE	OPERATION	DRAW	SCALE	UNIT	SIZE	SHEET	PROJ.	TITLE:
AO	2021.7.03	NEW			X.X	±0.35	Yang	2017.3.06	—	1/1	PH100HxxxSMT-2xxGA1301	
					X.XX	±0.25			mm			
					X.XXX	±0.15	Lisa	2017.3.09	A4			
					Angle	± 3'						
					DIM	TOL						

SCONDAR
SCONDAR ELECTRONIC LIMITED

PART NO. PH100HxxxSMT-2xxGA1301
TITLE: PH1.0 SMT H1.0/1.5 PA2.0 PB1.5/2.0 W5.2 L5.2/5.7 Gold flash PA6T 2XXP Pin header