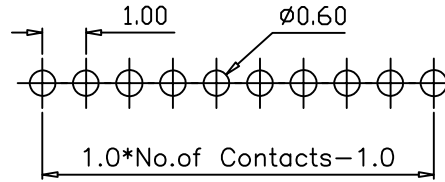
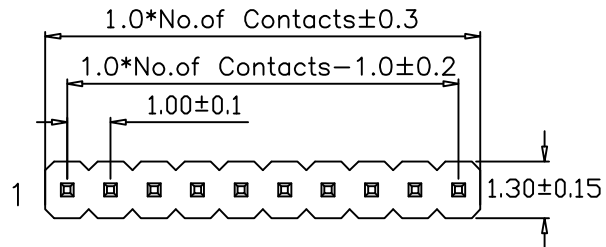


RoHS

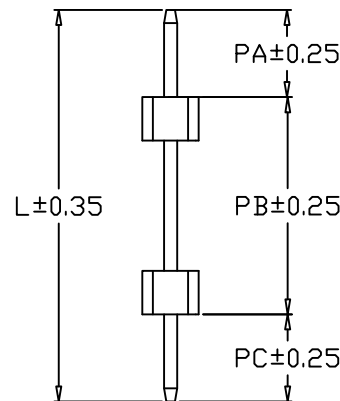
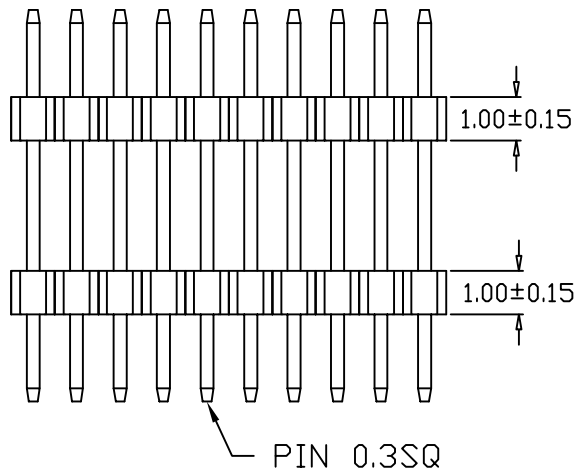
受控



PCB LAYOUT

SPECIFICATION:

- Current Rating: 1A AC/DC
- Contact resistance: 20mΩ(Max).
- Insulation Resistance: 1000MΩ Min
- Withstanding Voltage: 500VAC(1Min)
- Operation Temperature: -40°C to +105°C
- Max Processing Temp: 230°C-260°C for 30°C-60°C seconds
- Material:
- Insulator : Glass filled PA6T (UL94V-0), black
- Contacts: Brass



Ordering Information

PH100DH100 ST- 1xx G A 0 301

- Insulator height 100=1.00mm
- No. of Pins 20=20PIN
- Plating G=Gold Plated T=Tin Plated G2=Gold 2u" G10=Gold 10u"
- Material A=PA6T
- Package 0=PE Bag 1=Tape&Reel 2=Tube 3=Tray

Dimension antitheses list

ITEM	PA	PB	PC	L
Alternate	2.00	5.00	2.00	9.00

SCONDAR ELECTRONIC LTD
ENGINEER LIU APPROVED

OPERATION	DRAW	Yang	2017.5.13
X.X ±0.35	DESIGN		
X.XX ±0.25			
X.XXX ±0.15	CHECK	Lisa	2017.5.15
Angle ± 3'	APPROVE		
DIM TOL			



SCONDAR ELECTRONIC LIMITED

AO	2021.7.5	NEW																			
REV	DATE	MODIFICATION DESCRIPTION	CHANGE	APPROVE																	