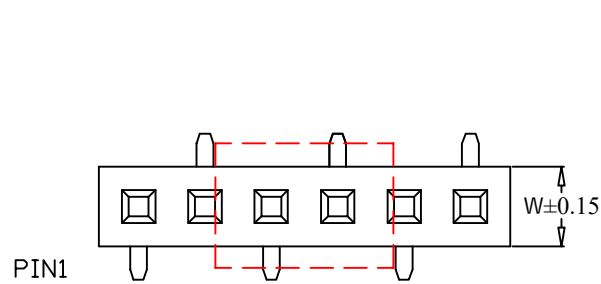
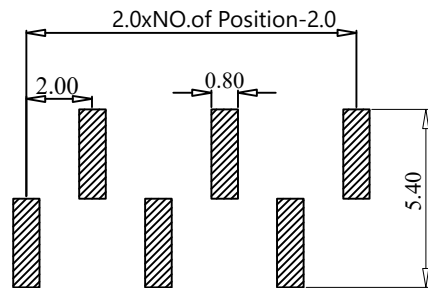


RoHS

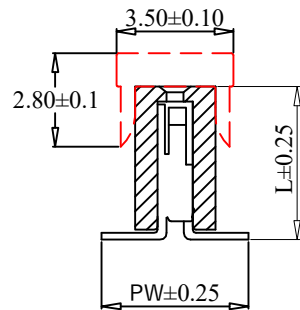
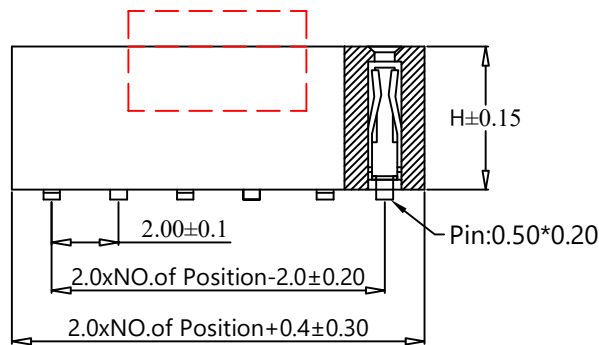
受控



TYPE B



P.C.B Layout
TYPE B



SPECIFICATION:

- Current Rating: 1.5Amps
 - Insulation Resistance: 1000MΩ Min
 - Contact Resistance:20mΩ Max
 - Withstanding Voltage: 500VAC(1Min)
 - Max Processing Temp:230°-260°for 30-60s
 - Operation Temperature: -40°C to +105°C
- Material:**
- Insulator (Housing):PA6T (UL94V-0)
 - Black Contacts:Brass

Ordering Information

FH200Hxxx SMT-1xx G A 1 301 B

Insulator height: 220=2.20mm, 430=4.30mm, 460=4.60mm
 No. of Pins: 120=1x20PIN
 Plating: G=Gold Plated, T=Tin Plated, G2=Gold 2u", G10=Gold 10u"
 Material: A=PA6T
 Package: 0=PE Bag, 1=Tape&Reel, 2=Tube, 3=Tray
 A=PCB Type A, B=PCB Type B

H	W	PW	L
2.20	2.40	4.30	2.50
4.30	2.40	4.40	4.60
4.60	2.40	4.40	4.90

SCONDAR ELECTRONIC LTD
ENGINEER LIU APPROVED

REV	DATE	MODIFICATION DESCRIPTION	CHANGE	APPROVE	DIM	TOL	OPERATION	DRAW	LYao	SCALE	UNIT	SIZE	SHEET	PROJ.	PART NO.	TITLE:
AO	2021.05.25	NEW			X.X	±0.35	OPERATION	DRAW	LYao	2016.04.12	—	A4	1/1			
					X.XX	±0.25	DESIGN									
					X.XXX	±0.15	CHECK		Lisa	2016.04.15						
					Angle	± 3'	APPROVE									

SCONDAR
SCONDAR ELECTRONIC LIMITED

PART NO. FH200H430SMT-1xxGA1301B

TITLE: FH2.0 H4.3 SMT Gold flash PA6T 1xxP Female header PCB layout type B