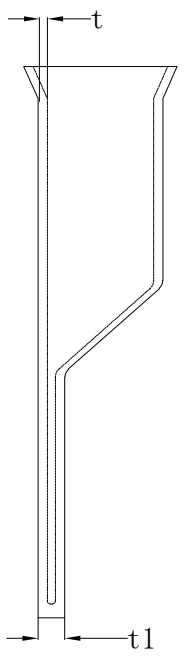
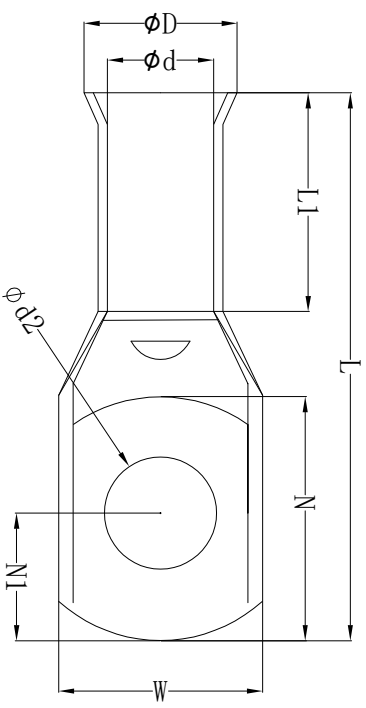



ROHS



REV	DATE	MODIFICATION DESCRIPTION	CHANGE	APPROVE	OPERATION DIM	DRAW	YANG	2016.06.06	SCALE	UNIT	 SCONDAR SCONDAR ELECTRONIC LIMITED
A0	2016.06.06	NEW			Angle DIM	CHECK	Lisa	2016.06.06	SHEET	1/1	
					± 0.30	DESIGN			SIZE	A4	PART NO.
					± 0.20				SHEET	1/1	紫銅管端子KRF系列
					± 0.10				PROJ.		TITLE:
					$\pm 3^\circ$						

1 2 3 4 5 6 7 8 9 10