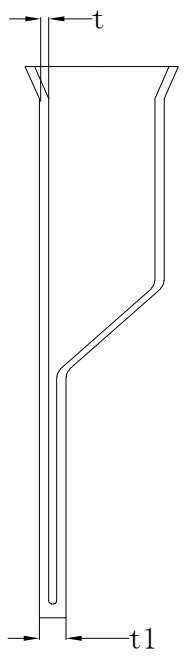
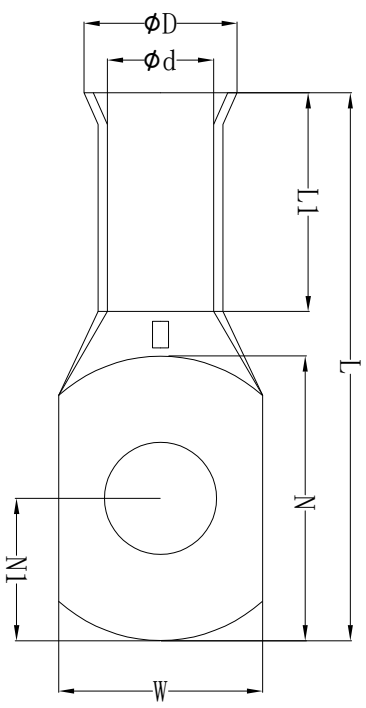



ROHS



REV	DATE	MODIFICATION DESCRIPTION	CHANGE	APPROVE	OPERATION DIM	DRAW	YANG	2016.06.06	SCALE	UNIT	 SCONDAR	SCONDAR ELECTRONIC LIMITED 紫銅管端子FC系列
A0	2016.06.06	NEW			X.X ± 0.30 X.XX ± 0.20 X.XXX ± 0.10 Angle $\pm 3^\circ$	DESIGN	Lisa	2016.06.06	A4	1/1		
1						CHECK			PROJ.		TITLE:	