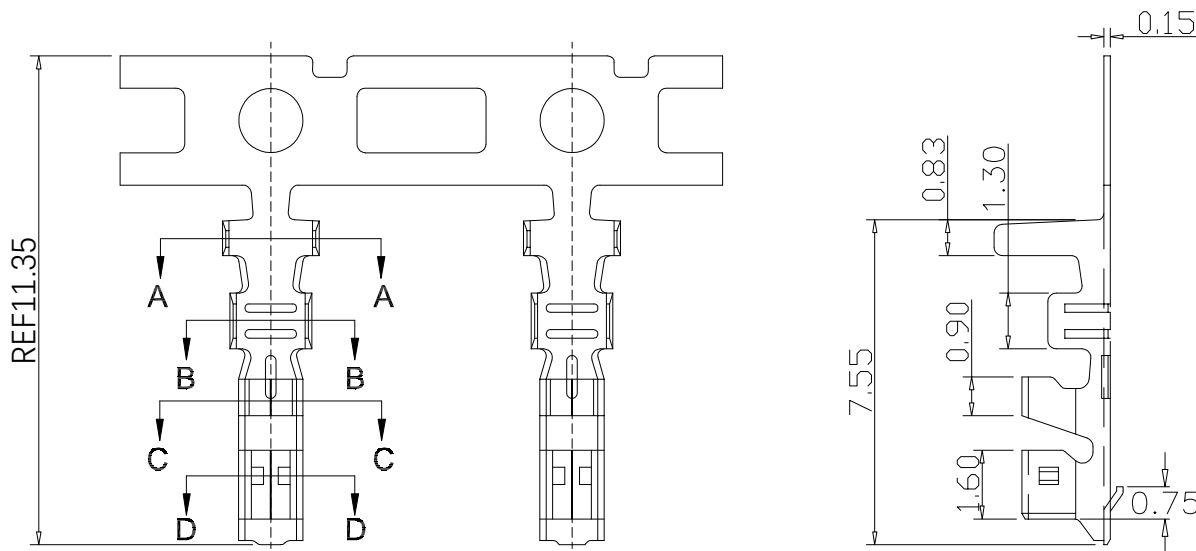


RoHS

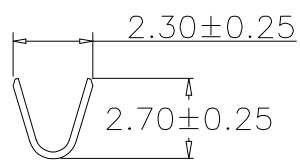


Specification:

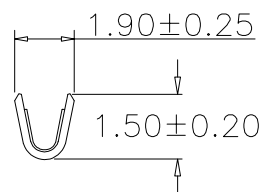
- Current Rating: 3A AC/DC
- Voltage Rating: 250V AC/DC
- Insulation Resistance: 1000M $\Omega$  Min
- Withstanding Voltage: 1000VAC (1Min)
- Contact resistance: 30m $\Omega$  (Max).
- Operation Temperature: -25 $^{\circ}$ C to +85 $^{\circ}$ C

Material:

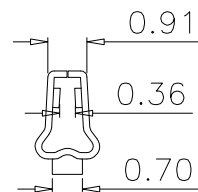
- Material: Phosphor Bronze
- Finish: Tin/Gold Plated
- Applicable Wires: 22~28AWG
- MPQ: 8000Pcs/reel



SECTION: A-A



SECTION: B-B




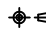
SECTION: C-C

### Ordering Information

SCT2029T P S 164

Material:  
P=Phosphor Bronze      Contact Plated  
S=Tin Plated  
G=Gold Plated

**SCONDAR ELECTRONIC, LTD**  
**ENGINEER APPROVED LYAO**

					OPERATION	DRAW	Zhong	2019.06.06	SCALE	—	 <b>SCONDAR ELECTRONIC LIMITED</b>	
					X.X	$\pm$ 0.30			UNIT	mm		
					X.XX	$\pm$ 0.20			SIZE	A4		
A0		NEW			X.XXX	$\pm$ 0.10			SHEET	1/1		Part No
REV	DATE	MODIFICATION DESCRIPTION	CHANGE	APPROVE	EDIM	TOL	APPROVE		PROJ		TITLE:	PND2.00mm for Crimp Terminal Phosphor Bronze Tin(Sn) Plating