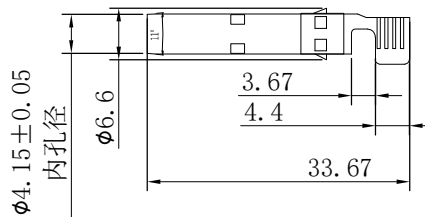
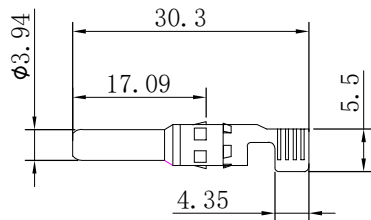
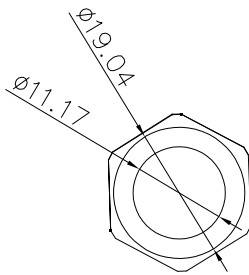
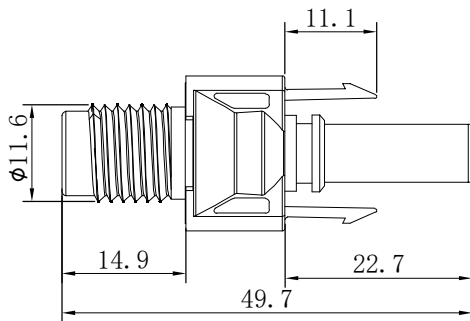
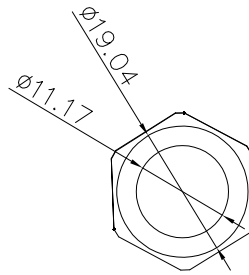
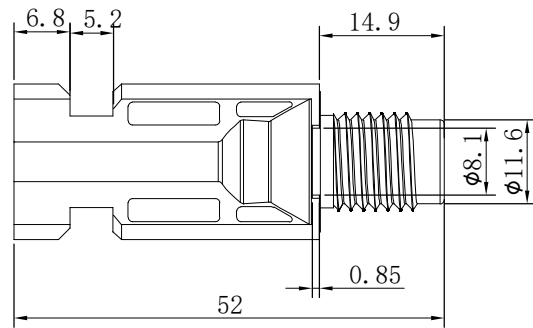


RoHS



**Technical parameters:**

Rated voltage: 1000V  
 Insulation material: ppo  
 Conductor material: copper tin plating  
 Ambient temperature: - 40° C ~+95° C  
 Product temperature resistance: - 40° C~+135° C  
 Safety level: DCII  
 Waterproof grade: IP68  
 Contact resistance: <=0.5mΩ  
 Connecting systems: multipoint connections  
 Self locking system: embedded  
 Wiring mode: crimping  
 Wiring specification: 2.5mm<sup>2</sup> 4mm<sup>2</sup> 6mm<sup>2</sup>  
 Rated current: 17A(1.5mm<sup>2</sup>) 22A (2.5mm<sup>2</sup>)  
 30A(4mm<sup>2</sup> ~ 6mm<sup>2</sup>)  
 Flame retardant grade: UL94-V0  
 Plastic unmarked tolerance: ±0.5  
 Terminal unmarked tolerance: ±0.2

受控


东莞市晟凯达电子科技有限公司  
 工程专用章

**ordering information**

SCT PZ - V1 XX 2 02 641

— Type voltage current Entrance and exit Shape Series

V1=1000V 17=17A 25=25A 30=30A  
 2=2PASS

						OPERATION	DRAW	Yang	2020.05.03	SCALE	-	 SCONDAR ELECTRONIC LIMITED	
						X.X ±0.35	DESIGN			UNIT	mm		
						X.XX ±0.25	CHECK	Lisa	2020.05.03	SIZE	A4		
						X.XXX ±0.15	APPROVE			SHEET	1/1		PART NO. SCTPZ-V1XX202641
REV	DATE	MODIFICATION DESCRIPTION	CHANGE	APPROVE		Angle ± 3'				PROJ.	⊕	TITLE:	PV through voltage: 1000V, current: xA
						DIM TOL							