

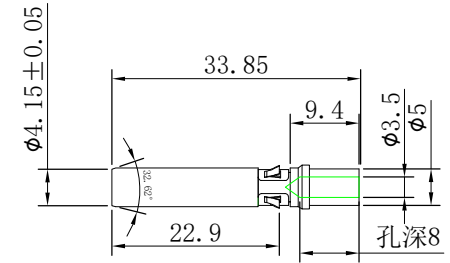
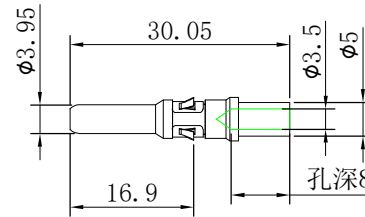
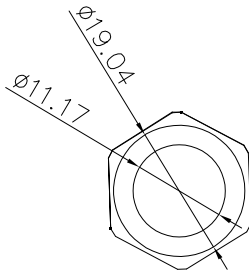
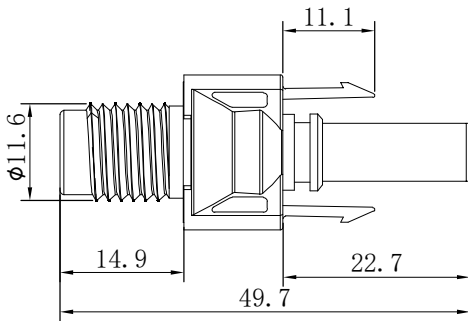
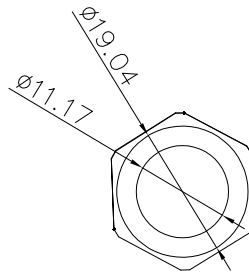
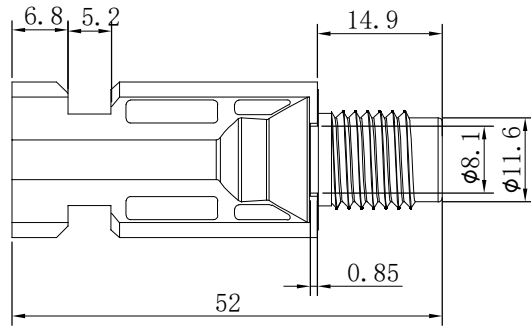
RoHS

Technical parameters:

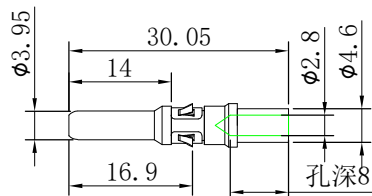
Rated voltage: 1000V
 Insulation material: ppo
 Conductor material: copper tin plating
 Ambient temperature: - 40° C ~+95° C
 Product temperature resistance: - 40° C~+135° C
 Safety level: DCII
 Waterproof grade: IP68
 Contact resistance: <=0.5mΩ
 Connecting systems: multipoint connections
 Self locking system: embedded
 Wiring mode: crimping
 Wiring specification: 2.5mm² 4mm² 6mm²
 Rated current:50A(4mm² ~ 6mm² :)
 Flame retardant grade: UL94-V0
 Plastic unmarked tolerance:±0.5
 Terminal unmarked tolerance: ±0.2

东莞市晟凯达电子科技有限公司
 工程专用章

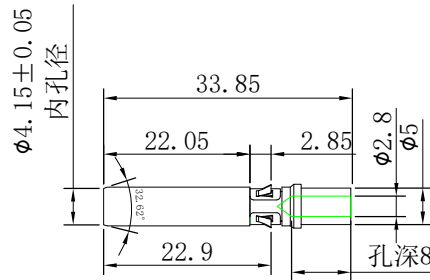
受控



6mm² 线适用端子



4mm² 线适用端子



ordering information

SCT PZ - V1 50 2 02 641

— Type voltage current Entrance Shape Series
 V1=1000V 50=50A and exit
 2=2PASS

						OPERATION	DRAW	Yang	2020.05.03	SCALE	-	 SCONDAR ELECTRONIC LIMITED
						X.X ±0.35	DESIGN			UNIT	mm	
						X.XX ±0.25	CHECK	Lisa	2020.05.03	SIZE	A4	
						X.XXX ±0.15	APPROVE			SHEET	1/1	
REV	DATE	MODIFICATION DESCRIPTION	CHANGE	APPROVE		Angle ± 3'				PROJ.	⊕	TITLE: PV through voltage: 1000V, current: 50A
						DIM TOL						