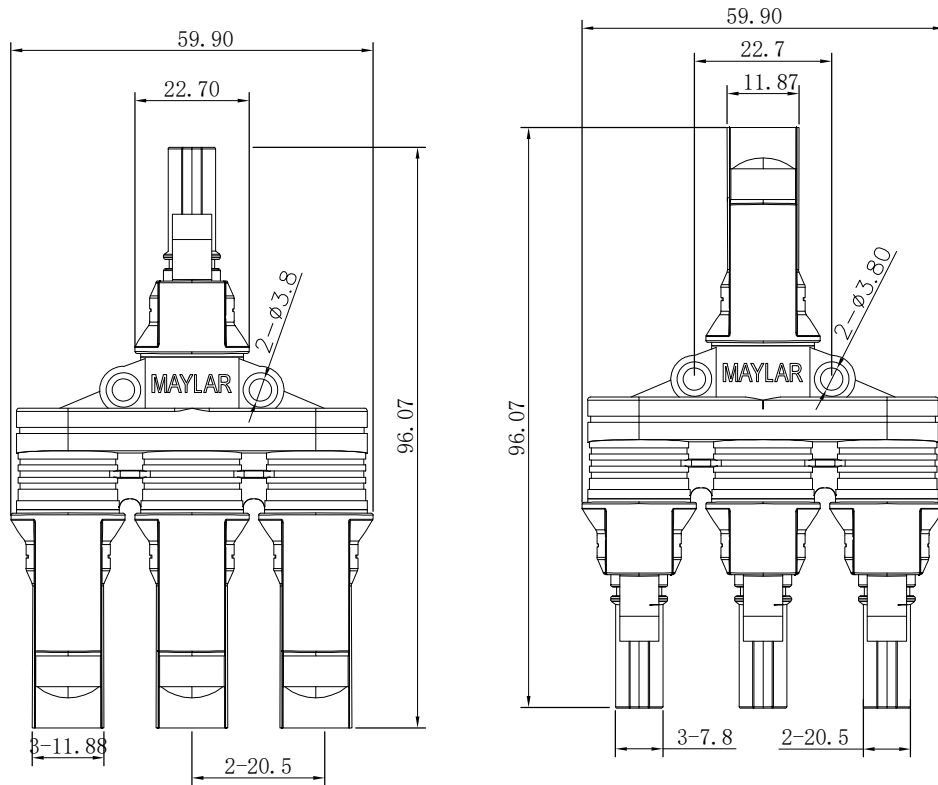


RoHS



Technical parameters:

- Rated voltage: 1000v
- Insulation material: ppo
- Conductor material: copper tin plating
- Ambient temperature: - 40° ~+95°
- Product temperature resistance: - 40° ~+135°
- Safety level: DCII
- Waterproof grade: IP68
- Contact resistance: ≤0.5mΩ
- Connecting systems: multipoint connections
- Self locking system: embedded
- Pull out force: =>50
- Insertion force: ≤50
- Rated current: 50A
- Flame retardant grade: UL94-V0
- Plastic unmarked tolerance: ±0.5


ordering information

SCT PT - V1 50 4 01 641

T Type voltage V1=1000V current 50=50A Entrance and exit 4=4PASS Shape Series

东莞市晟凯达电子科技有限公司
工程专用章

受控

					OPERATION	DRAW	Yang	2020.05.03	SCALE	-	 SCONDAR ELECTRONIC LIMITED	
					X.X ±0.35	DESIGN			UNIT	mm		
					X.XX ±0.25	CHECK	Lisa	2020.05.03	SIZE	A4		
AO	2020.03.03	NEW			X.XXX ±0.15	APPROVE			SHEET	1/1		PART NO.
REV	DATE	MODIFICATION DESCRIPTION	CHANGE	APPROVE	Angle ± 3'	DIM TOL			PROJ.	⌀	TITLE:	PV through voltage: 1000V, current: 50A