

1 2 3 4 5 6 7 8 9 10

A

B

C

D

E

F

G

H

A

B

C

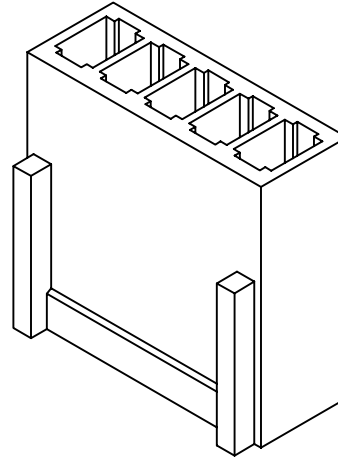
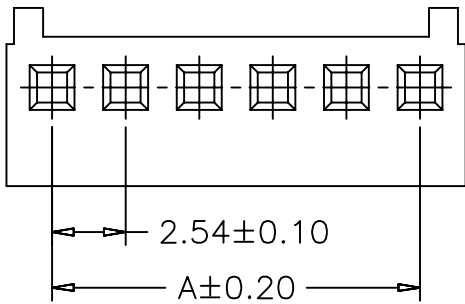
D

E

F

G

H



**SPECIFICATIONS**

Voltage Rating: 250V AC/DC

Current Rating: 4A AC/DC

Withstanding Voltage: 1000V AC/minute

Insulation Resistance: 1000MΩ min.

Temperature Range: -25° C - +85° C

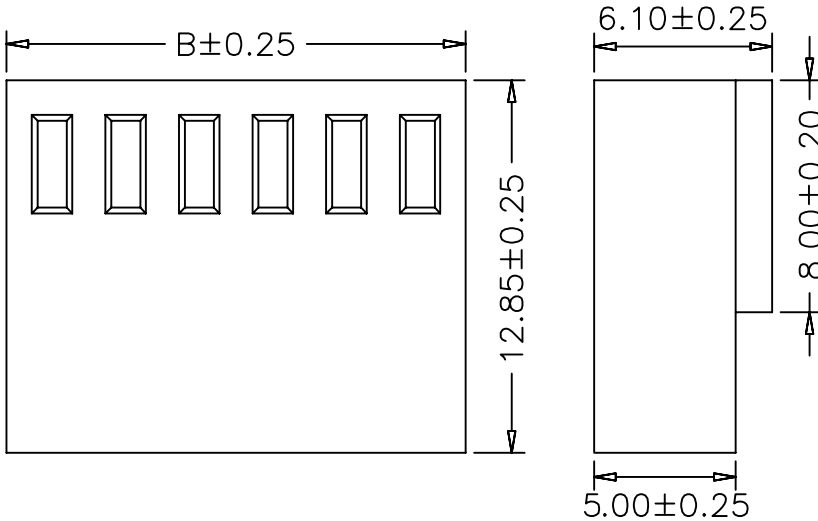
Contact Resistance: 20mΩ max

**HOUSING**

Part No: SCT2541H-XXPC

Poles: 2-20

Material: Nylon 66, UL94V-2



PART NO.	Dimensions		PART NO.	Dimensions	
	A	B		A	B
SCT2541H-02PC	2.54	5.68	SCT2541H-12PC	27.94	31.08
SCT2541H-03PC	5.08	8.22	SCT2541H-13PC	30.48	33.62
SCT2541H-04PC	7.62	10.76	SCT2541H-14PC	33.02	36.16
SCT2541H-05PC	10.16	13.30	SCT2541H-15PC	35.56	38.70
SCT2541H-06PC	12.70	15.84	SCT2541H-16PC	38.10	41.24
SCT2541H-07PC	15.24	18.38	SCT2541H-17PC	40.64	43.78
SCT2541H-08PC	17.78	20.92	SCT2541H-18PC	43.18	46.32
SCT2541H-09PC	20.32	23.46	SCT2541H-19PC	45.72	48.86
SCT2541H-10PC	22.86	26.00	SCT2541H-20PC	48.26	51.40
SCT2541H-11PC	25.40	28.54			

					OPERATION	DRAW	CHENA	05/12/28	SCALE		森康达电子有限公司 SCONDAR ELECTRONIC LIMITED	
					~ 10 ±0.15	DESIGN			UNIT	mm		
					20 ~ 30 ±0.30	CHECK	MICKY	05/12/28	SIZE	A4	PART NO.	SCT2541H-XXPC
					30 ~ ±0.50	APPROVE	HELLEN	05/12/28	SHEET	1/1	TITLE:	MX2.54 HOUSING
REV	DATE	MODIFICATION DESCRIPTION	CHANGE	APPROVE	Angle DIM	± 2° TOL	PROJ.	◆ ←	DRAWING NO.	SCT2541		

1 2 3 4 5 6 7 8 9 10