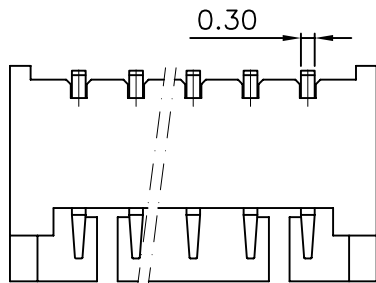
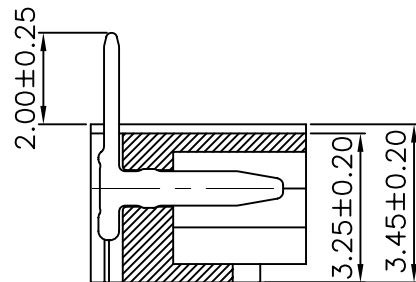
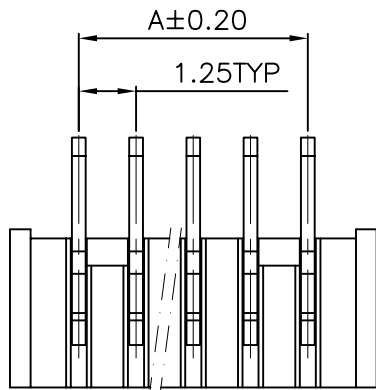


PCB LAYOUT




**SPECIFICATIONS**

Voltage rating: 125V AC, DC  
 Current rating: 1A, AC, DC (AWG#26)  
 Withstanding voltage: 500V AC/minute  
 Insulation resistance: 100M  $\Omega$ min  
 Temperature range: -40 °C - +85°C  
 Contact resistance: 20m  $\Omega$  max

**WAFER**

Part No.: SCT1251WR-XXP  
 Poles: 2-16  
 Material: Nylon 46, UL94V-0  
 Contact: Brass, Tin plated  
 Q' TY: 1,000 pcs/bag

PART NO	DIMENSION	
	A	B
SCT1251WR-02	1.25	4.25
SCT1251WR-03	2.50	5.50
SCT1251WR-04	3.75	6.75
SCT1251WR-05	5.00	8.00
SCT1251WR-06	6.25	9.25
SCT1251WR-07	7.50	10.50
SCT1251WR-08	8.75	11.75
SCT1251WR-09	10.00	13.00
SCT1251WR-10	11.25	14.25
SCT1251WR-11	12.50	15.50
SCT1251WR-12	13.75	16.75
SCT1251WR-13	15.00	18.00
SCT1251WR-14	16.25	19.25
SCT1251WR-15	17.50	20.50
SCT1251WR-16	18.75	21.75

					OPERATION	DRAW	Micky.Liu	2006/05/02	SCALE		 <b>森康达电子有限公司</b> SCONDAR ELECTRONIC LIMITED
					~ 10	±0.15			UNIT	mm	
					20 ~ 30	±0.30			SIZE	A4	
					30 ~	±0.50			SHEET	1/1	
					Angle	± 2'			PART NO.	SCT1251WR-XXP	
0	05/12/27								TITLE:	MX1.25 90C WAFER	
REV	DATE	MODIFICATION DESCRIPTION	CHANGE	APPROVE	Angle	± 2'			DRAWING NO.	SCT1251	
					DIM	TOL	APPROVE	Hellen.Li	2006/05/02		