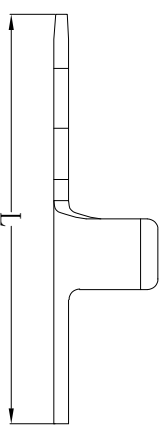
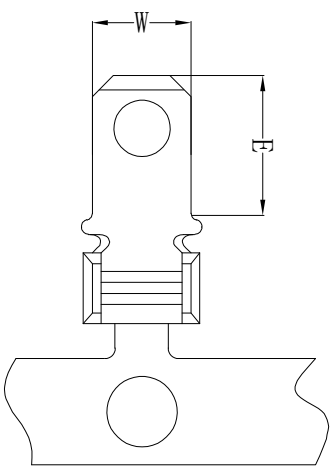



ROHS



REV	DATE	MODIFICATION DESCRIPTION	CHANGE	APPROVE	OPERATION	DRAW	YANG	2016.06.06	SCALE	UNIT	 <b>SCONDAR</b>	SCONDAR ELECTRONIC LIMITED Drawing number. SCTTT110052250C141
A0	2016.06.06	NEW	---	---	X.X ±0.30 X.XX ±0.20 X.XXX ±0.10 Angle ±3°	DESIGN CHECK	Lisa	2016.06.06	--- mm A4	1/1 SHEET PROJ.		

1 2 3 4 5 6 7 8 9 10

1 2 3 4 5 6 7 8 9 10

A B C D E F G H

A B C D E F G H