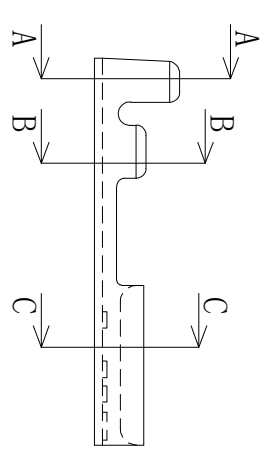
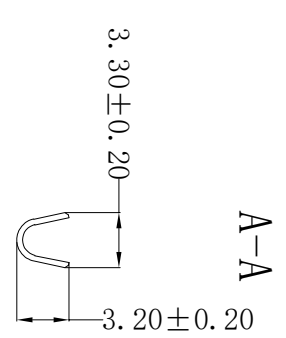
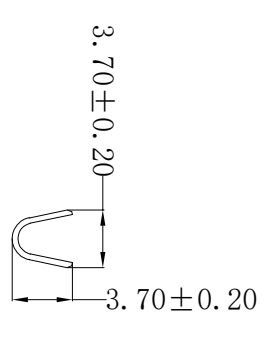
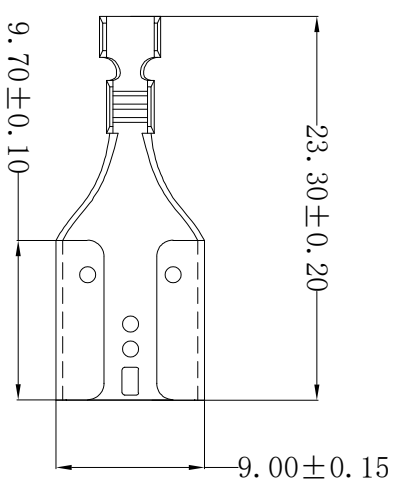
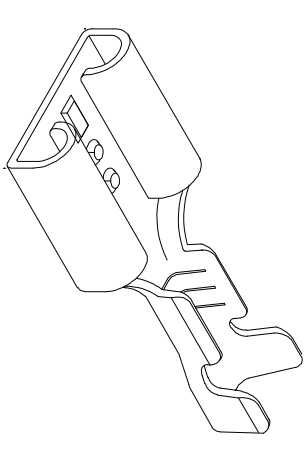


ROHS



Technical requirements:
 -Material: C5191 (磷青铜)
 -Applicable wire: 18~22AWg
 -Surface treatment: Tin plating
 -Appearance: the body should not be scratched or oxidized
 -Meet rosh and customer environmental requirements



REV	DATE	MODIFICATION DESCRIPTION	CHANGE	APPROVE	OPERATION	DRAW	YANG	2016.06.06	SCALE	 SCONDAR ELECTRONIC LIMITED
A0	2016.06.06	NEW			X.X	DESIGN		—	UNIT	
					X.XX	CHECK	Lisa	mm	SIZE	
					X.XXX	APPROVE		A4	SHEET	
					Angle			1/1	PROJ.	PART NO.
					±3°					TITLE:
					±0.30					250# T=0.35 Crimp Female Terminal G3191 Tin (Sn)
					±0.20					Plating: 18-22AWg Roel MP=4RFS
					±0.10					