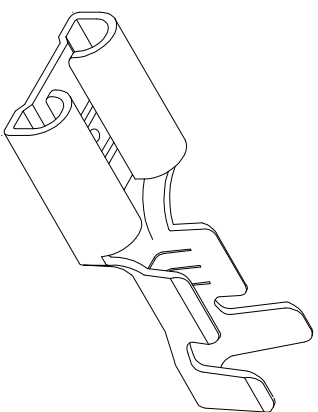
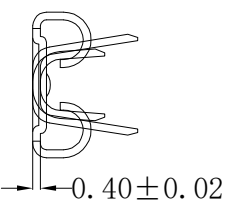
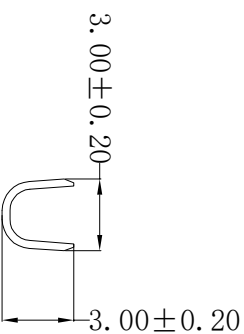
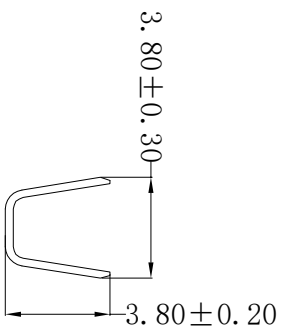
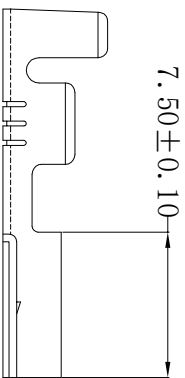
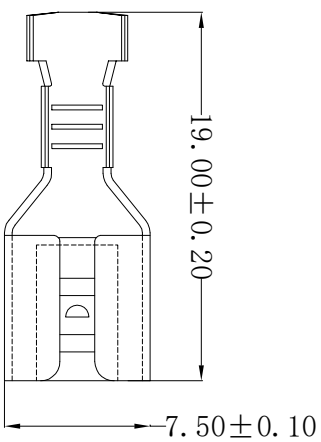


# ROHS



- Technical requirements:**
- Material: Brass (黄铜)
  - Applicable wire: 22~24AWG
  - Connection Table: 6.3\*0.8
  - Surface treatment: Tin plating
  - Appearance: the body should not be scratched or oxidized
  - Meet rosh and customer environmental requirements

REV	DATE	MODIFICATION DESCRIPTION	CHANGE	APPROVE	OPERATION	DRAW	YANG	2016.06.06	SCALE	UNIT	 <b>SCONDAR ELECTRONIC LIMITED</b>
A0	2016.06.06	NEW	---	---	DESIGN	Lisa	2016.06.06	1/1	A4	PART NO.	
					CHECK					TITLE:	
					DIM	APPROVE			6.3x0.80 250# T=0.40 Cr+mp Female Terminal Brass Tin(Sn) Plating 22-24AWG Roel MPQ-5RPs		