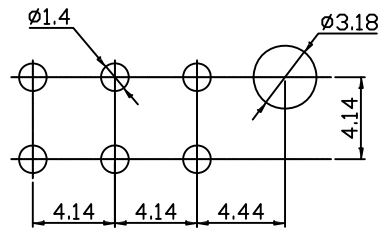


RoHS

Recommended P.C.B Layout

General Tolerance±0.05



Specification:

- Current Rating: 7A AC/DC
- Voltage Rating: 250V AC/DC
- Insulation Resistance: 1000MΩ(Min)
- Contact resistance: 10mΩ(Max).
- Withstanding Voltage: 1500VAC(Min)
- Operation Temperature: -25°C to +85°C

Material:

- Insulator Material: Nylon 66(UL94V-2)
- Contact Material: Brass
- Finish: Tin Plated
- Color: White

Ordering Information

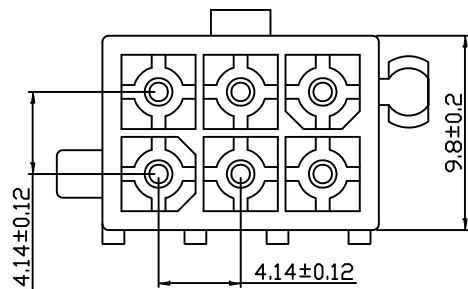
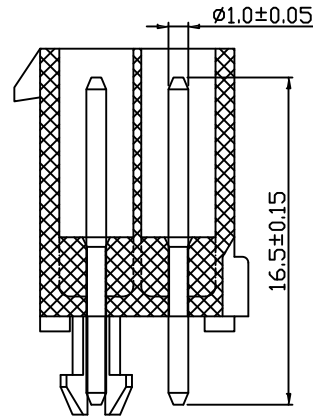
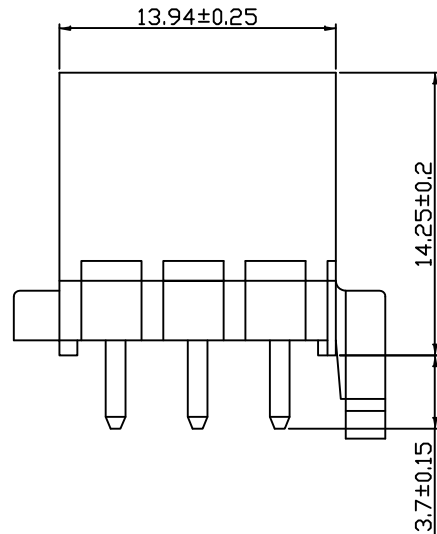
SCT4140WV - 203 C 0 WT 160

No. of Pins  
203=2x3Pin

Material  
C=PA66 V2

Package  
0=PE Bag

Color  
WT=White



SCONDAR ELECTRONIC LIMITED

					OPERATION	DRAW	Peng	2006.05.02	SCALE	-	 SCONDAR ELECTRONIC LIMITED	
					X.X ±0.35	DESIGN			UNIT	mm		
					X.XX ±0.25		CHECK	Lisa	2006.05.02	SIZE		A4
AO	2006.05.02	NEW			X.XXX ±0.15	APPROVE	Allen	2006.05.02	SHEET	1/1		PART NO.
REV	DATE	MODIFICATION DESCRIPTION	CHANGE	APPROVE	Angle DIM	± 3' TOL	APPROVE	Allen	2006.05.02	PROJ.	TITLE:	FL4.14 180° Wafer 2x3Pin Connector