

RoHS

Recommended P.C.B Layout
General Tolerance±0.05

Specification:

- Current Rating: 7A AC/DC
- Voltage Rating: 250V AC/DC
- Insulation Resistance: 1000MΩ(Min)
- Contact resistance: 20mΩ(Max).
- Withstanding Voltage: 1500VAC(Min)
- Operation Temperature: -25°C to +85°C

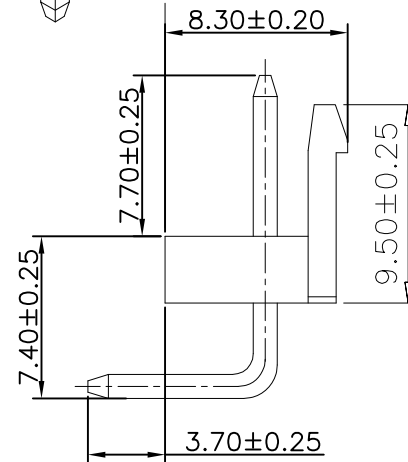
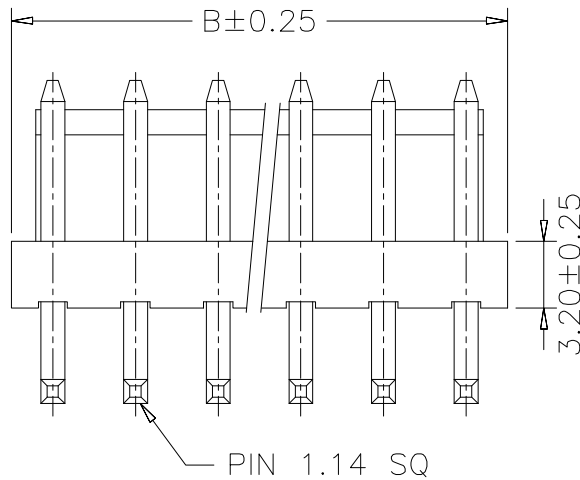
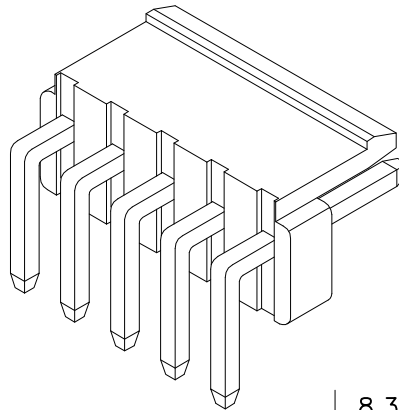
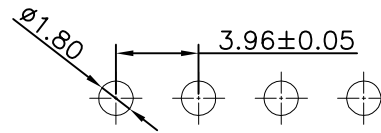
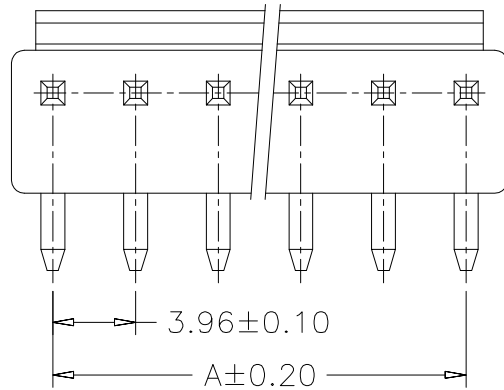
Material:

- Insulator Material: Nylon 66(UL94V-0)
- Contact Material: Brass
- Finish: Tin Plated
- Color: White


Ordering Information

SCT3961WR - xx B 0 WT 108

No. of Pins See Table
Material B=PA66
Package 0=PE Bag
Color WT=White



9	31.68	35.64			
8	27.72	31.68			
7	23.76	27.72			
6	19.80	23.76			
5	15.84	19.80			
4	11.88	15.84	12	43.56	47.52
3	7.92	11.88	11	39.60	43.56
2	3.96	7.92	10	35.64	39.60
Poles	A	B	Poles	A	B
	Dimensions			Dimensions	

REV	DATE	MODIFICATION DESCRIPTION	CHANGE	APPROVE	OPERATION	DRAW	Peng	2021.07.10	SCALE	-	 SCONDAR ELECTRONIC LIMITED
A1	2021.07.10	Changed from SCT3961WR-xxPC to SCT3961WR-xxBOWT108			X.X	±0.35			UNIT	mm	
AO	2020.03.03	NEW			X.XX	±0.25			SIZE	A4	
					X.XXX	±0.15			SHEET	1/1	
					Angle	± 3'			PART NO.	SCT3961WR-xxBOWT108	⚠
					DIM	TOL			PROJ.	MX3.96 90° Wafer	