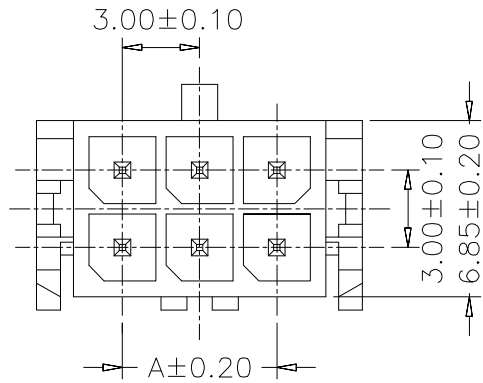
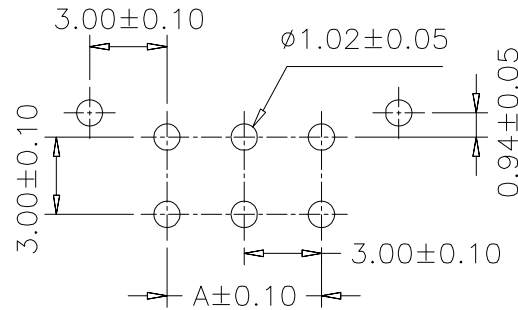


RoHS



**Recommended P.C.B Layout**  
General Tolerance±0.05



**Specification:**

- Current Rating: 5A AC/DC
- Voltage Rating: 250V AC/DC
- Insulation Resistance: 1000MΩ Min
- Withstanding Voltage: 1500VAC Min
- Contact resistance: 20mΩ(Max).
- Operation Temperature: -25°C to +85°C

**Material:**

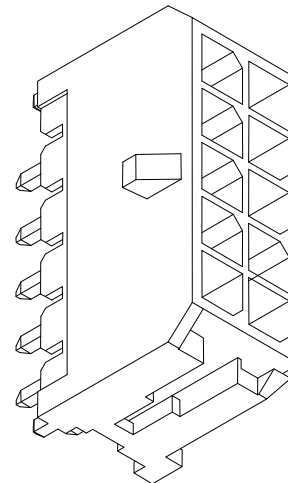
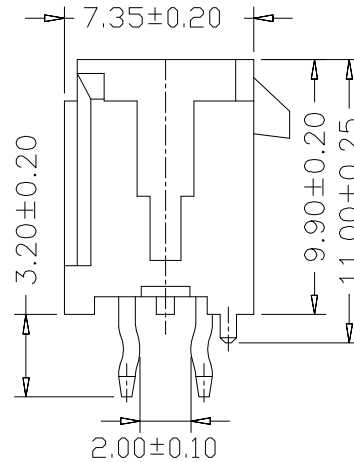
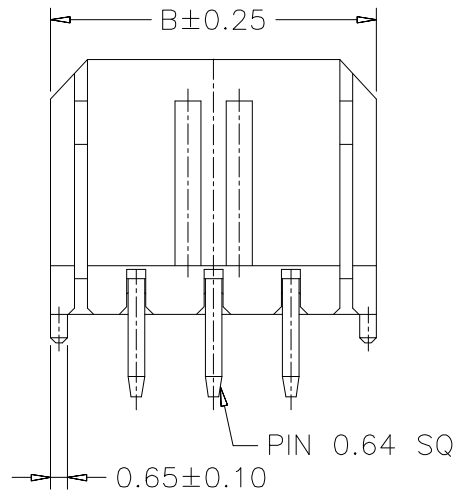
- Insulator (Housing): Nylon 66 (UL94V-2)
- Contacts: Brass
- Solder: Tin Plated
- Color: Black

**Ordering Information**

SCT3001WV -2\*\* B 0 BK 108

No. of Pins See Table  
Insulation B=PA66  
Package 0=PE Bag  
Color BK=Black

2*9	24.00	30.65			
2*8	21.00	27.65			
2*7	18.00	24.65			
2*6	15.00	21.65			
2*5	12.00	18.65			
2*4	9.00	15.65			
2*3	6.00	12.65	2*12	33.00	39.65
2*2	3.00	9.65	2*11	30.00	36.65
2*1	—	6.65	2*10	27.00	33.65
Poles	A	B	Poles	A	B
	Dimensions			Dimensions	



REV	DATE	MODIFICATION DESCRIPTION	CHANGE	APPROVE	OPERATION	DRAW	Peng	2021.07.10	SCALE	—	 SCONDAR ELECTRONIC LIMITED		
A1	2021.07.10	Changed from SCT3001WV-2xxP to SCT3001WV-2xxB0BK108	—	—	X.X	±0.35			UNIT	mm			
AO	2019.10.15	NEW	—	—	X.XX	±0.25			SIZE	A4			
					X.XXX	±0.15			SHEET	1/1			
					Angle	± 3'			PART NO.	SCT3001WV-2xxB0BK108	⚠		
					DIM	TOL	APPROVE	Allen	2021.07.10	PROJ.	⊕	TITLE:	MX3.0 180° Wafer Connector