

RoHS

Recommended P.C.B Layout
General Tolerance±0.05

Specification:

- Current Rating: 5A AC/DC
- Voltage Rating: 250V AC/DC
- Insulation Resistance: 1000MΩ Min
- Withstanding Voltage: 1500VAC Min
- Contact resistance: 20mΩ(Max).
- Operation Temperature: -25°C to +85°C

Material:

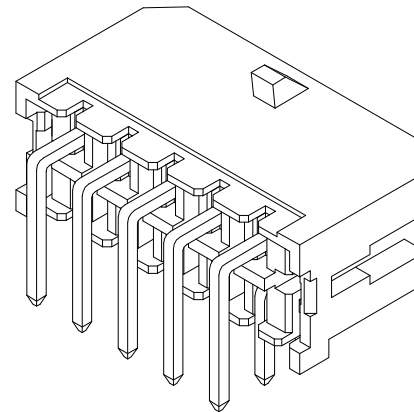
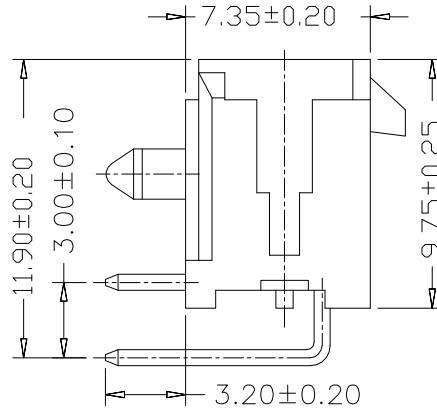
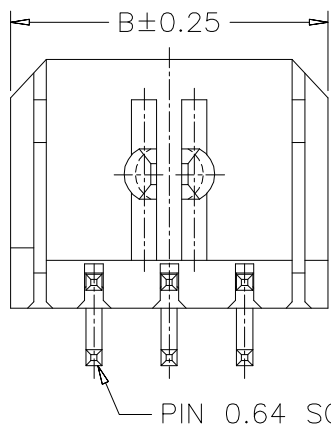
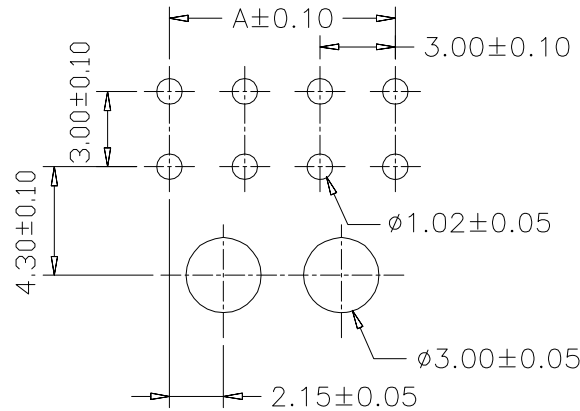
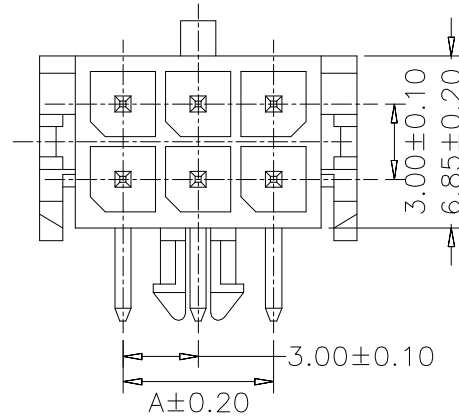
- Insulator (Housing): Nylon 66 (UL94V-2)
- Contacts: Brass
- Solder: Tin Plated
- Color: Black

Ordering Information

SCT3001WR -2** B 0 BK 108

No. of Pins See Table
Insulation B=PA66
Package 0=PE Bag
Color BK=Black

2*9	24.00	30.65			
2*8	21.00	27.65			
2*7	18.00	24.65			
2*6	15.00	21.65			
2*5	12.00	18.65			
2*4	9.00	15.65			
2*3	6.00	12.65	2*12	33.00	39.65
2*2	3.00	9.65	2*11	30.00	36.65
2*1	—	6.65	2*10	27.00	33.65
Poles	A	B	Poles	A	B
	Dimensions			Dimensions	



REV	DATE	MODIFICATION DESCRIPTION	CHANGE	APPROVE	OPERATION	DRAW	Peng	2021.07.10	SCALE	—	 SCONDAR ELECTRONIC LIMITED
A1	2021.07.10	Changed from SCT3001WR-2xXP to SCT3001WR-2xB0BK108			X.X	±0.35			UNIT	mm	
AO	2019.10.15	NEW			X.XX	±0.25			SIZE	A4	
					X.XXX	±0.15			SHEET	1/1	
					Angle	± 3'			PART NO.	SCT3001WR-2xB0BK108	
					DIM	TOL			PROJ.	MX3.0 90° Wafer Connector	