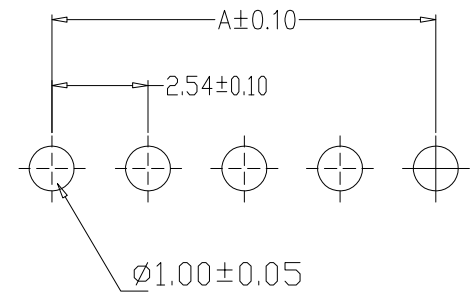
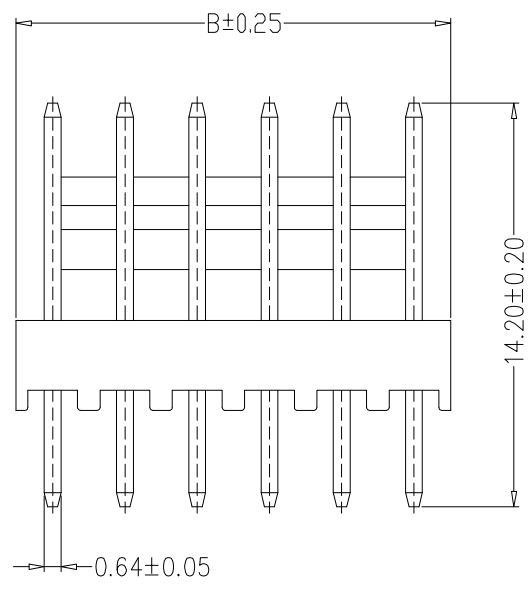
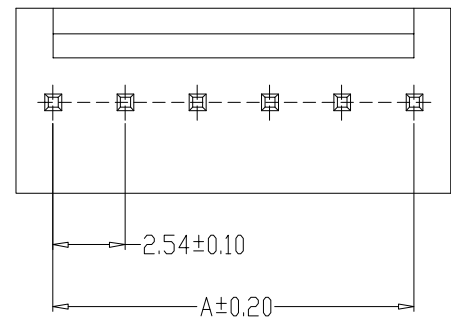
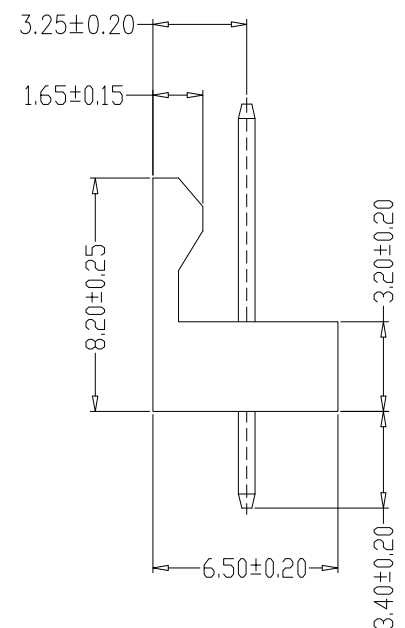


RoHS



PCB LAYOUT



SPECIFICATIONS

- 1、 Current Rating: 2A AC, DC
- 2、 Voltage Rating: 250V AC, DC
- 3、 Temperature Range: -25°C~+85°C
- 4、 Contact Resistance: 20mΩ Max
- 5、 Insulation Resistance: 1000MΩ Min
- 6、 Withstanding Voltage: 1500V AC/minute
- 7、 Material: Nylon66, UL94V-0
PIN Brass Tin-plated

Ordering Information

SCT2548WV - xx B 0 WT 181

No. of Pins See Table Insulation B=PA66 VO Package 0=PE Bag Color BE=Beige

Dimensions		Part NO	PIN
A	B		
2.54	5.08	SCT2548WR-02COWT181	2
5.08	7.62	SCT2548WR-03COWT181	3
7.62	10.16	SCT2548WR-04COWT181	4
10.16	12.70	SCT2548WR-05COWT181	5
12.70	15.24	SCT2548WR-06COWT181	6
15.24	17.78	SCT2548WR-07COWT181	7
17.78	20.32	SCT2548WR-08COWT181	8
20.32	22.86	SCT2548WR-09COWT181	9

REV	DATE	MODIFICATION DESCRIPTION	CHANGE	APPROVE	OPERATION	DRAW	Zhong	2019. 12. 18	SCALE	—	 SCONDAR ELECTRONIC LIMITED	
A0		NEW			X. X ±0.30	DESIGN			UNIT	mm		
					X. XX ±0.20	CHECK	Lisa	2019. 12. 18	SIZE	A4		
					X. XXX ±0.10	APPROVE			SHEET	1/1		
					Angle ±3°				PROJ.	⌀	Part No.	SCT2548WV-xxBOWT181
					DIM TOL				TITLE:		2.54mm Pitch DIP Single Row Right angle Through Hole PCB Header xxPin PA66 VO WHITE Tin(Sn) Plating PE Bag 3.00mm PC Tail Length MPQ=1KPCS	