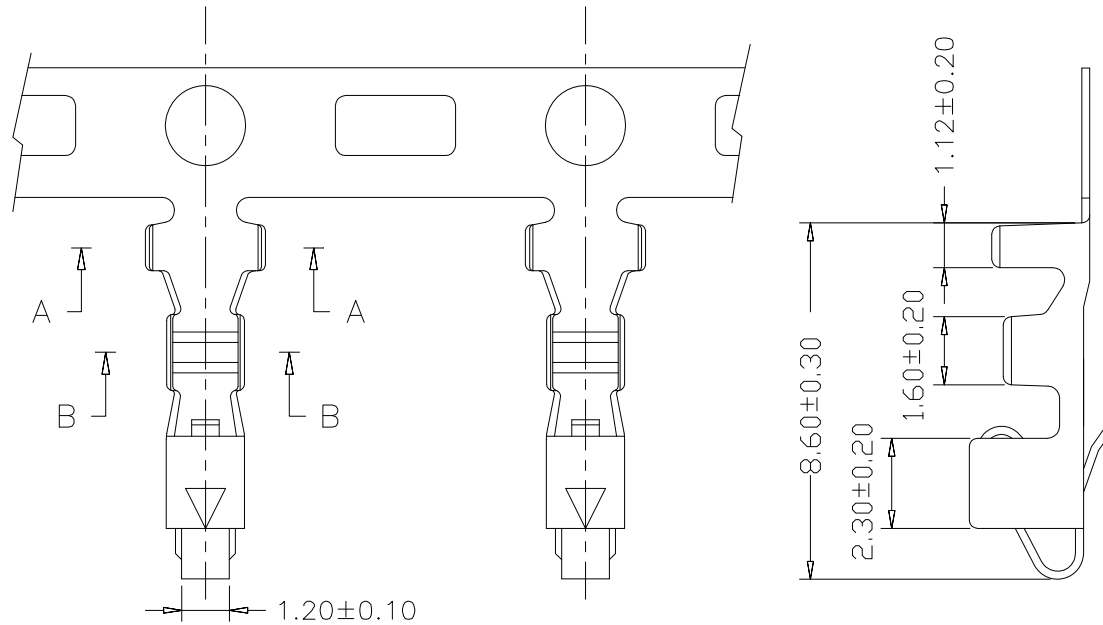


RoHS

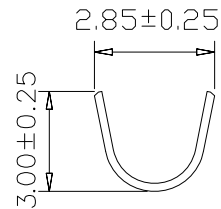
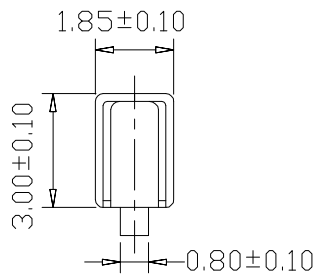


Specification:

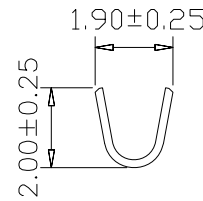
- Current Rating: 3A AC/DC
- Voltage Rating: 250V AC/DC
- Insulation Resistance: 500MΩ(Min)
- Contact resistance: 20mΩ(Max).
- Withstanding Voltage: 1500VAC(Min)
- Operation Temperature: -25°C to +85°C

Material:

- Wire Range: 22AWG~28AWG(OD:1.8mm)
- Material: Phosphor Bronze, T=0.20mm
- Finish: Tin Plated
- Q'TY: 5000Pcs/Reel



SECTION:A-A




SECTION:B-B

Ordering Information

SCT2505FT P S 109

Material:
P=Phosphor Bronze S=Tin Plated

					OPERATION	DRAW	Peng	2021.07.06	SCALE	-	 SCONDAR ELECTRONIC LIMITED	
					X.X ±0.35	DESIGN			UNIT	mm		
					X.XX ±0.25		CHECK	Lisa	2021.07.06	SIZE		A4
A1	2021.07.06	Changed from SCT2505FTP to SCT2505FTPS109			X.XXX ±0.15	APPROVE	Allen	2021.07.06	SHEET	1/1		PART NO.
AO	2015.03.03	NEW			Angle ± 3'				PROJ.	⊕	TITLE:	SM 2.50mm Female Terminal
REV	DATE	MODIFICATION DESCRIPTION	CHANGE	APPROVE	DIM TOL							