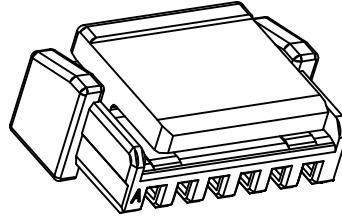
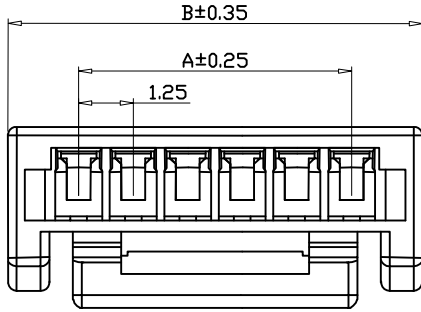


RoHS

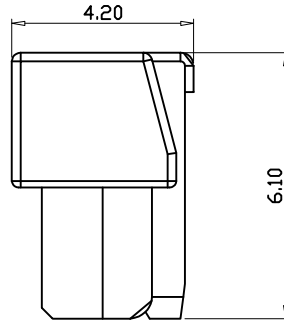
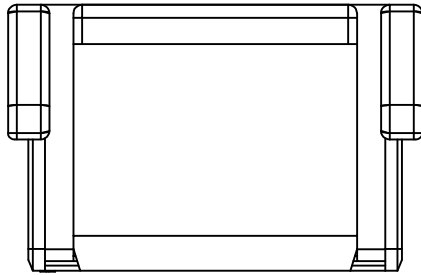


Specification:

- Current Rating: 1.5A AC/DC
- Voltage Rating: 50V AC/DC
- Insulation Resistance: 100MΩ (Min)
- Withstanding Voltage: 500VAC (1Min)
- Contact resistance: 20MΩ MAX.
- Operation Temperature: -25°C to +105°C

Material:

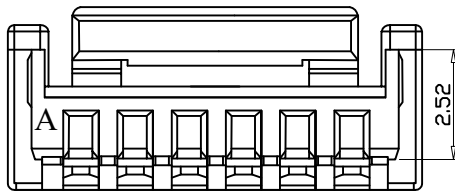
- Housing: PA66 UL94V-0
- Color: Black



Ordering Information

SCT1256H-XX B 0 BK 164

No. of Pins See Table
 Insulation B=PA66V0
 Package 0=PE Bag 1=Tape&Reel 2=Tube 3=Tray
 Color BK=Black



Dimensions		PIN	Dimensions		PIN
A	B		A	B	
1.25	4.50	2	11.25	14.50	10
2.50	5.75	3	12.50	15.75	11
3.75	7.00	4	13.75	17.00	12
5.00	8.25	5	15.00	18.25	13
6.25	9.50	6	16.25	19.50	14
7.50	10.75	7	17.50	20.75	15
8.75	12.00	8	18.75	22.00	16
10.00	13.25	9			

SCONDAR ELECTRONIC LIMITE
 ENGINEER YAO APPROVED

					OPERATION	DRAW	YAO	2023.9.13	SCALE	-	 SCONDAR ELECTRONIC LIMITED
					X.X ±0.35	DESIGN			UNIT	mm	
					X.XX ±0.25		CHECK	Lisa	2023.9.13	SIZE	
AO	2016.03.03		NEW		X.XXX ±0.15	APPROVE			SHEET	1/1	
REV	DATE		MODIFICATION DESCRIPTION	CHANGE	APPROVE	DIM	TOL		PROJ.	⌀	TITLE: 1.25mm PA66 V0 Black xxP Housing