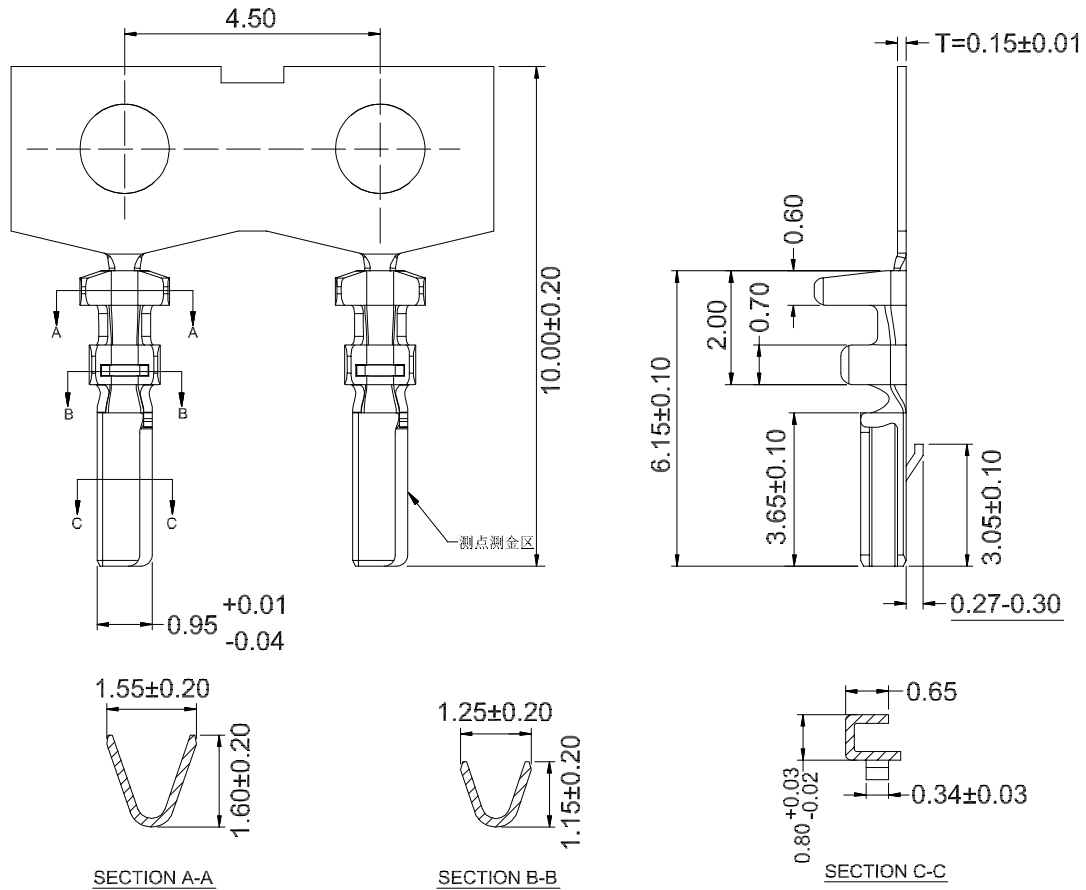


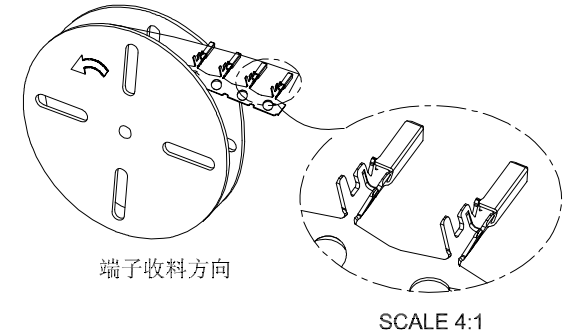
RoHS



- Specifications :
- Voltage rating: 200V AC / DC
- Current rating: 1.5A AC / DC
- Withstanding voltage: 1000V AC/minute
- Temperature range: -40°C~+130°C
- Insulation resistance: ≥1000MΩ
- Contact resistance: ≤20mΩ
- After environmental testing : ≤40mΩ
- Wire Range: AWG#26-28
- Insulation O.D.: 1.05mm(Max)
- Used In YZDZ Housing: 1220H
- Material: P-Phosphor bronze
- Plating code:
- SN-Bright tin plating
- V01-Half gold flash
- V03-3u" Gold

东莞市晟凯达电子科技有限公司
工程专用章

受控



1220T-PV01	Phosphor Bronze	AWG#28-26	1.05mm(Max)	Stamping Before Pating:30~50u" Ni;Contact Area Gold:1u" Min.	1220H	15,000Pcs
1220T-PV03	Phosphor Bronze	AWG#28-26	1.05mm(Max)	Stamping Before Pating:30~50u" Ni;Contact Area Gold:3u" Min.		
PART NO	Material	Wire Range	Insulation O.D.	Finish	Used In YZDZ Housing	Q' ty/Reel

					OPERATION	DRAW	Yang	2022.06.22	SCALE	-	 SCONDAR ELECTRONIC LIMITED		
					X.X ±0.35	DESIGN			UNIT	mm			
					X.XX ±0.25	CHECK	Lisa	2022.06.22	SIZE	A4			
A0	2006.05.02	NEW			X.XXX ±0.15	APPROVE			SHEET	1/1		PART NO.	SCT12510TPHG142
REV	DATE	MODIFICATION DESCRIPTION	CHANGE	APPROVE	Angle ± 3'	DIM TOL	APPROVE		PROJ.	⊕	TITLE:		