

RoHS

Recommended P.C.B Layout
General Tolerance±0.05

Specification:

- Current Rating: 1A AC/DC
- Voltage Rating: 50V AC/DC
- Insulation Resistance: 100MΩ Min
- Withstanding Voltage: 500VAC(1Min)
- Contact resistance: 20mΩ(Max).
- Operation Temperature: -40°C to +85°C

Material:

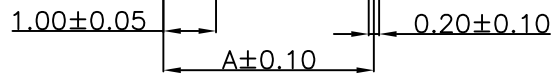
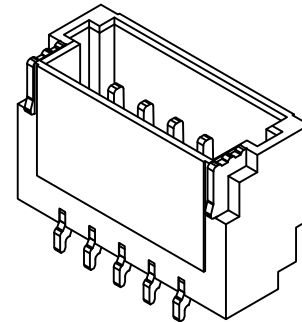
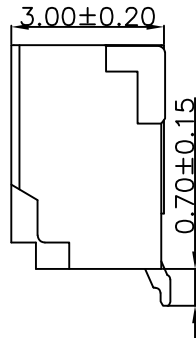
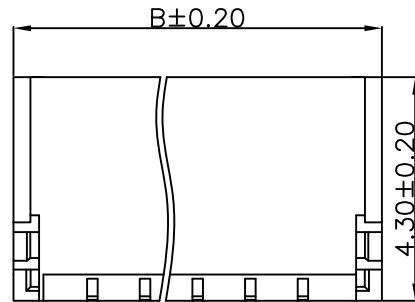
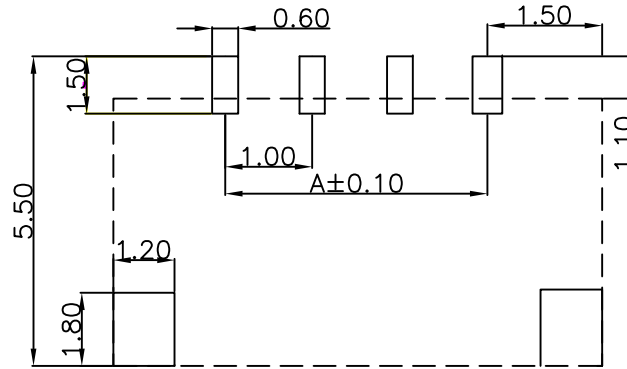
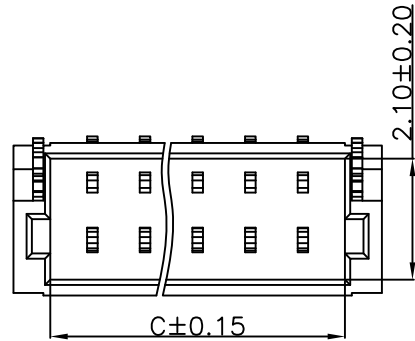
- Insulator (Housing): PA9T (UL94V-0)
- Contacts: Phos.Bronze,Tin Plated
- Q' TY: 1500Pcs/Reel
- Color: Beige

Ordering Information

SCT1001WRS - ** E x BE 101

No.of Pins See Table Insulation E=PA9T Package 1=Tape&Reel 2=Tube Color BE=Beige

	11	10.00	13.00	11.40	22	21.00	24.00	22.40	
	10	9.00	12.00	10.40	20	19.00	22.00	20.40	
	9	8.00	11.00	9.40	19	18.00	21.00	19.40	
	8	7.00	10.00	8.40	18	17.00	20.00	18.40	
	7	6.00	9.00	7.40	17	16.00	19.00	17.40	
	6	5.00	8.00	6.40	16	15.00	18.00	16.40	
	5	4.00	7.00	5.40	15	14.00	17.00	15.40	
	4	3.00	6.00	4.40	14	13.00	16.00	14.40	
	3	2.00	5.00	3.40	13	12.00	15.00	13.40	
	2	1.00	4.00	2.40	12	11.00	14.00	12.40	
Poles	A			B			C		
	Dimensions			Poles			Dimensions		



						OPERATION	DRAW	Peng	2021.07.02	SCALE	-	 SCONDAR ELECTRONIC LIMITED	
						X.X ±0.35	DESIGN			UNIT	mm		
	A1	2021.07.02	Changed from SCT1001WR-S-xxP to SCT1001WRS-xxExBE101			X.XX ±0.25				SIZE	A4		
	AO	2006.05.02	NEW			X.XXX ±0.15	CHECK	Lisa	2021.07.02	SHEET	1/1		PART NO.
REV	DATE	MODIFICATION DESCRIPTION		CHANGE	APPROVE	Angle ± 3'	APPROVE	Allen	2021.07.02	PROJ.	⊕	TITLE:	SH 1.00mm Pitch 90° SMT Wafer Connector
						DIM TOL							