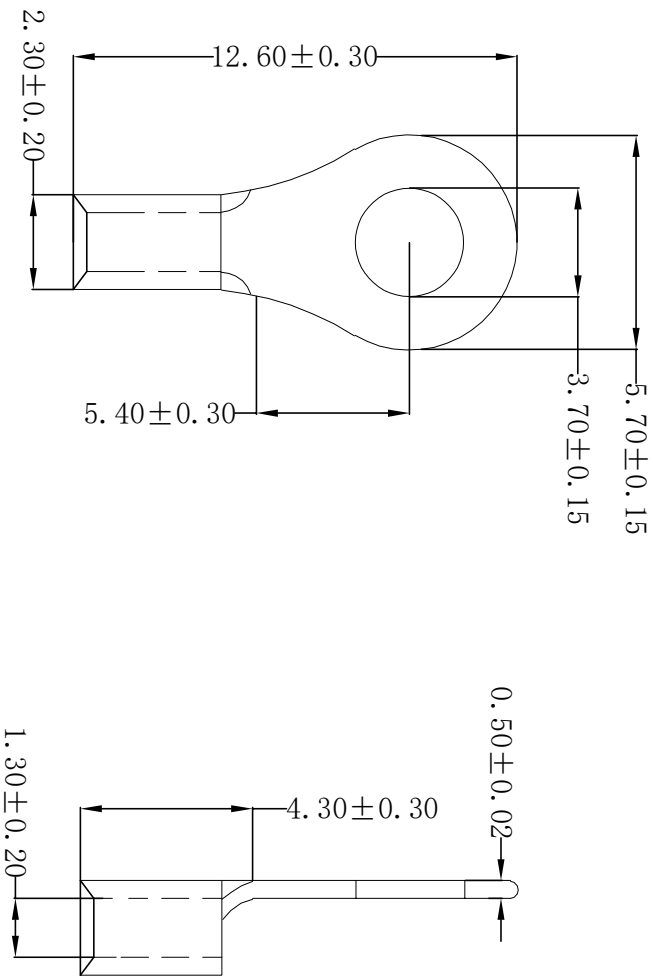


ROHS



**Technical requirements:**

- Material: Copper (紫铜)
- Applicable wire: 0.2~0.75mm<sup>2</sup>
- Surface treatment: Tin plating
- Plating thickness: 2.5um~5um
- Coating temperature: 120° /2H
- Max Current: 10A
- USA Screw: #6
- Appearance: the body should not be scratched or oxidized
- Meet rosh and customer environmental requirements

REV	DATE	MODIFICATION DESCRIPTION	CHANGE	APPROVE	OPERATION	DRAW	YANG	2016.06.06	SCALE	<p>SCONDAR ELECTRONIC LIMITED</p>	<p>PART NO. SCTRNB0.5-3.5S141</p> <p>Terminal 370R copper Tin plated 0.2~0.75mm<sup>2</sup> wire, ID:3.70mm OD:5.70mm</p>
A0	2016.06.06	NEW			DESIGN	Lisa	2016.06.06	UNIT			
					CHECK			SIZE			
					Angle	APPROVE		1/1	SHEET		
					±0.35			PROJ.		TITLE:	
					±0.25						
					±0.15						
					±3°						
					DIM						
					TOL						