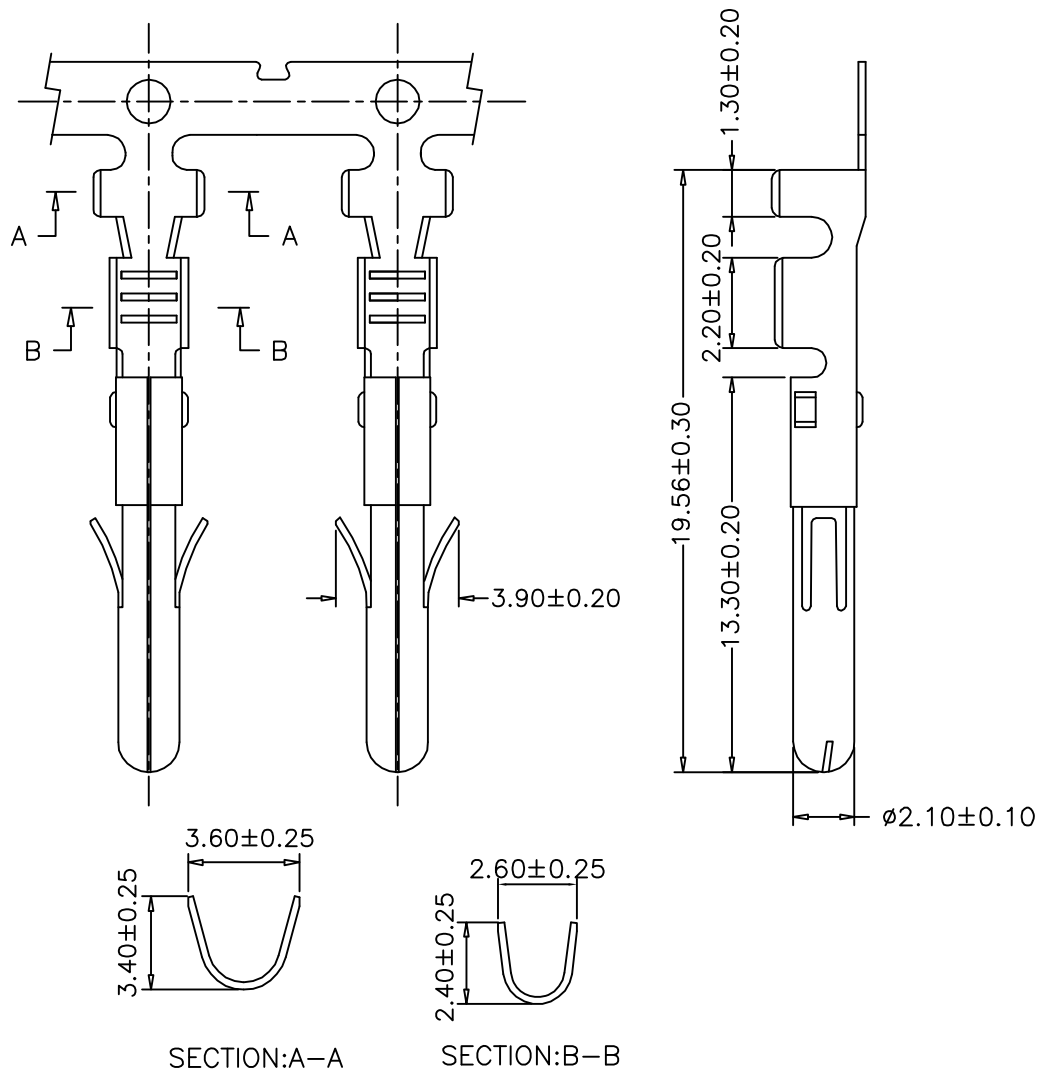


RoHS



Specification:

- Current Rating: 10A AC/DC
- Voltage Rating: 250V AC/DC
- Insulation Resistance: 1000MΩ(Min)
- Contact resistance: 20mΩ(Max).
- Withstanding Voltage: 1500VAC(Min)
- Operation Temperature: -25°C to +85°C

Material:


- Wire Range:14-20AWG(OD:3.3mm Max)
- Material: Brass, T=0.25mm
- Finish: Tin Plated
- Q'TY: 7,000Pcs/Reel

Ordering Information

SCT5083MT B S 134

Material:
B=Brass

Contact Plated
S=Tin Flash

					OPERATION	DRAW	Peng	2021.07.12	SCALE	-	 SCONDAR ELECTRONIC LIMITED	
					X.X	±0.35			UNIT	mm		
					X.XX	±0.25			SIZE	A4		
A1	2021.07.12	Changed from SCT5083MTP to SCT5083MTBS134			X.XXX	±0.15		2021.07.12	SHEET	1/1	PART NO.	SCT5083MTBS134
AO	2018.03.03	NEW			Angle	± 3'			PROJ.	☯	TITLE:	MOLEX8981 Male Terminal
REV	DATE	MODIFICATION DESCRIPTION	CHANGE	APPROVE	DIM	TOL	APPROVE	Allen	2021.07.12			