

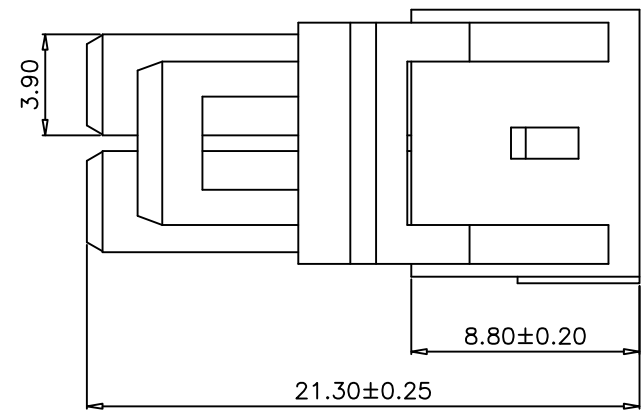
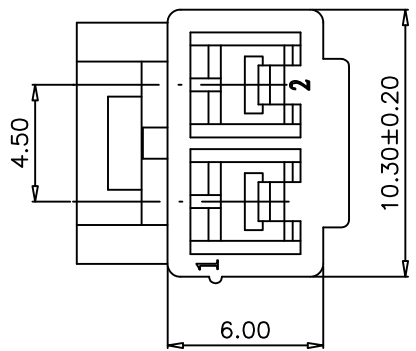
RoHS

Specification:

- Current Rating: 10A AC/DC
- Voltage Rating: 300V AC/DC
- Insulation Resistance: 1000MΩ Min
- Withstanding Voltage: 1500VAC(1Min)
- Contact resistance: 20mΩ Max
- Operation Temperature: -25°C to +85°C

Material:


- Insulator (Housing): Nylon 66 (UL94V-0)
- Color: White



Ordering Information

SCT4504MH -02 B WT 115

No.of Pins
02=2Pin
Insulation
B=PA66 V0
Color
WT=White

| | | | | | | | | | | | | | | |
|-----|------------|--|--|--------|-----------|--------------|-------------|------------|-------|------------|---|----------|--------------------|------------------------------|
| | | | | | OPERATION | DRAW | Peng | 2021.07.10 | SCALE | - |  SCONDAR ELECTRONIC LIMITED | | | |
| | | | | | X.X | ±0.35 | | | UNIT | mm | | | | |
| A1 | 2021.07.10 | Changed from SCT4504MH-02P to SCT4504MH-02BWT115 | | | X.XX | ±0.25 | | | SIZE | A4 | | | | |
| AO | 2019.10.15 | NEW | | | X.XXX | ±0.15 | | 2021.07.10 | SHEET | 1/1 | | PART NO. | SCT4504MH-02BWT115 | |
| REV | DATE | MODIFICATION DESCRIPTION | | CHANGE | APPROVE | Angle DIM | ± 3' TOL | APPROVE | Allen | 2021.07.10 | PROJ. | ⊕ | TITLE: | YL4.5 Male Housing Connector |