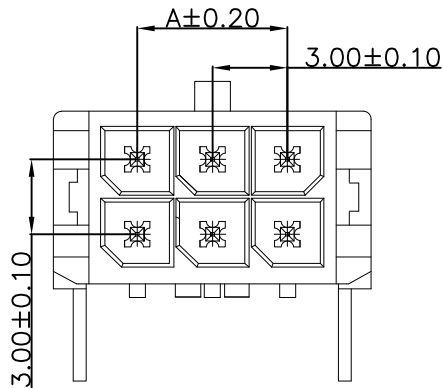
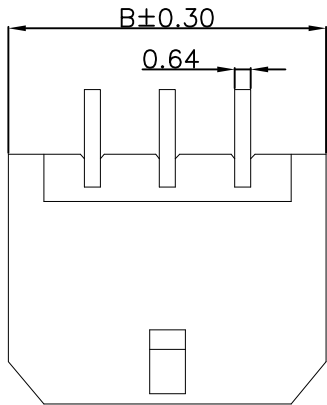
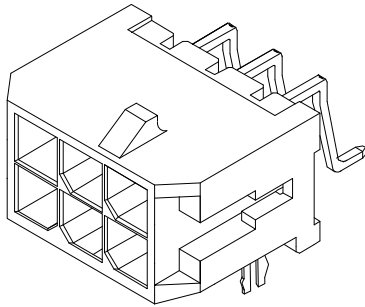
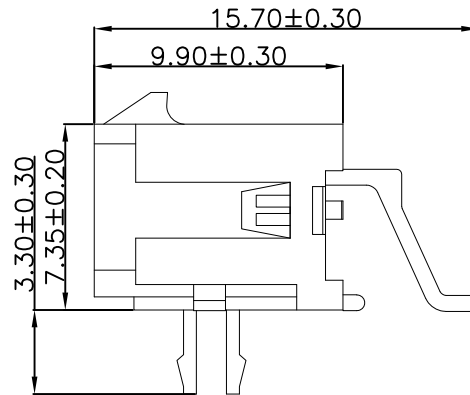
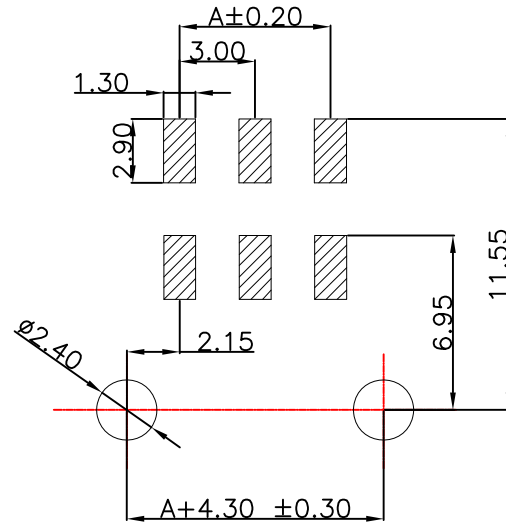


RoHS



Recommended P.C.B Layout
General Tolerance±0.05



Specification:

- Current Rating: 5A AC/DC
- Voltage Rating: 250V AC/DC
- Insulation Resistance: 1000MΩ Min
- Withstanding Voltage: 1500VAC Min
- Contact resistance: 20mΩ(Max).
- Operation Temperature: -25°C to +85°C

Material:

- Insulator (Housing): Nylon 66 (UL94V-0)
- Contacts: Brass
- Solder: Tin Plated
- Color: Black

Ordering Information

SCT3001WRSY-2** B 1 BK 113

No. of Pins See Table
Insulation B=PA66
Package 1=Tape&Reel
Color BK=Black

2*9	24.00	30.65			
2*8	21.00	27.65			
2*7	18.00	24.65			
2*6	15.00	21.65			
2*5	12.00	18.65			
2*4	9.00	15.65			
2*3	6.00	12.65	2*12	33.00	39.65
2*2	3.00	9.65	2*11	30.00	36.65
2*1	—	6.65	2*10	27.00	33.65
Poles	A	B	Poles	A	B
	Dimensions			Dimensions	

REV	DATE	MODIFICATION DESCRIPTION	CHANGE	APPROVE	OPERATION	DRAW	Peng	2021.07.10	SCALE	—	 SCONDAR ELECTRONIC LIMITED
A1	2021.07.10	Changed from SCT3001WR-S-E-2xXXPB to SCT3001WRSY-2xB1BK113	—	—	X.X	±0.35	—	—	UNIT	mm	
AO	2019.10.15	NEW	—	—	X.XX	±0.25	Lisa	2021.07.10	SIZE	A4	
					X.XXX	±0.15	Allen	2021.07.10	SHEET	1/1	
					Angle	± 3'			PART NO.	SCT3001WRSY-2xB1BK113	⚠
					DIM	TOL			PROJ.	MX3.0 90° SMT Wafer Connector	