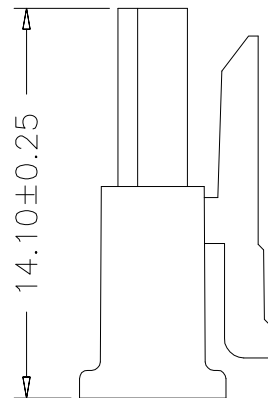
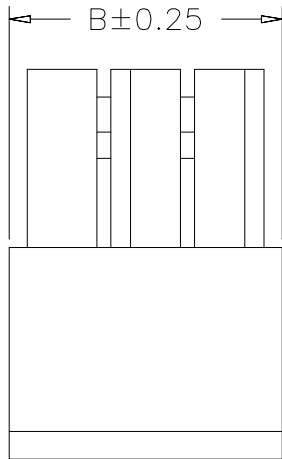
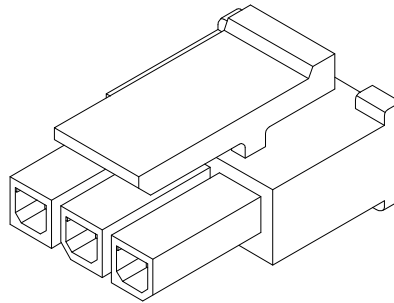
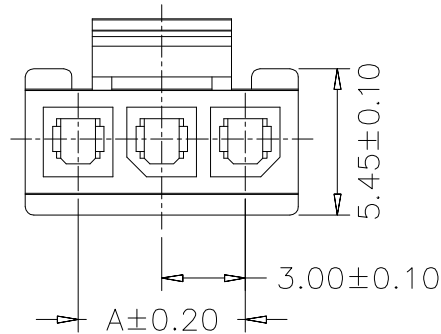


RoHS



Specification:

- Current Rating: 5A AC/DC
- Voltage Rating: 250V AC/DC
- Insulation Resistance: 1000MΩ Min
- Withstanding Voltage: 1500VAC(1Min)
- Contact resistance: 20mΩ(Max).
- Operation Temperature: -25°C to +85°C

Material:

- Insulator (Housing): PA66 (UL94V-2)
- Color: Black

Ordering Information



SCT3001MH - xx C BK 119

No. of Pins
See Table

Insulation
C=PA66 V2

Color
BK=Black

10	27.00	30.80			
9	24.00	27.80			
8	21.00	24.80			
7	18.00	21.80			
6	15.00	18.80			
5	12.00	15.80			
4	9.00	12.80			
3	6.00	9.80	12	33.00	36.80
2	3.00	6.80	11	30.00	33.80
Poles	A	B	Poles	A	B
	Dimensions			Dimensions	

REV	DATE	MODIFICATION DESCRIPTION	CHANGE	APPROVE	OPERATION	DRAW	Peng	2021.07.10	SCALE	-	 SCONDAR ELECTRONIC LIMITED	
A1	2021.07.10	Changed from SCT3001MH-xxP to SCT3001MH-xxCBK119			X.X	±0.35			UNIT	mm		
AO	2007.05.09	NEW			X.XX	±0.25			SIZE	A4		
					X.XXX	±0.15			SHEET	1/1		
					Angle	± 3'			PART NO.	SCT3001MH-xxCBK119		
					DIM	TOL	APPROVE	Allen	2021.07.10	PROJ.	TITLE:	MX3.0 Male Housing Connector