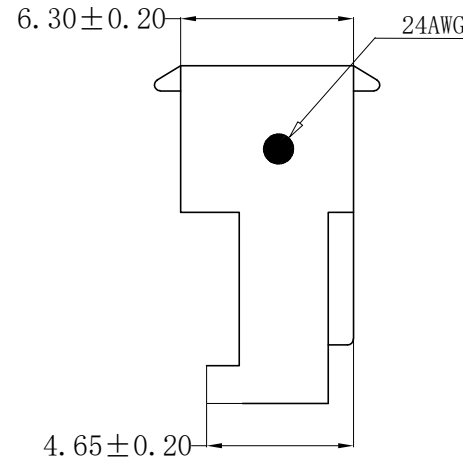
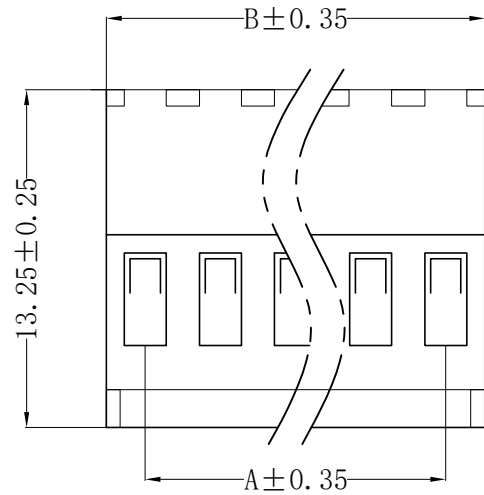


RoHS



Specification:

- Current Rating: 3A AC/DC
- Voltage Rating: 250V AC/DC
- Withstanding Voltage: 1000VAC(1Min)
- Withstanding Voltage: 1500VAC(1Min)
- Contact resistance: 10mΩ(Max).
- Operation Temperature: -25°C to +85°C

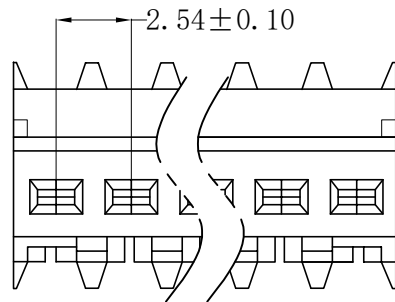
Material:

- Wire Range: 24AWG
- Insulator (Housing): PA66 (UL94V-2)
- Color: Red

Ordering Information

SCT2548HIR - xx C RD 179-24

No.of Pins See Table      Insulation C=PA66 V2      Color RD=Red



Dimensions		Part NO	PIN
A	M		
2.54	5.08	SCT2548HIR-02CRD179	2
5.08	7.62	SCT2548HIR-03CRD179	3
7.62	10.16	SCT2548HIR-04CRD179	4
10.16	12.70	SCT2548HIR-05CRD179	5
12.70	15.24	SCT2548HIR-06CRD179	6
15.24	17.78	SCT2548HIR-07CRD179	7
17.78	20.32	SCT2548HIR-08CRD179	8
20.32	22.86	SCT2548HIR-09CRD179	9
22.86	25.40	SCT2548HIR-10CRD179	10
25.40	27.94	SCT2548HIR-11CRD179	11
27.94	30.48	SCT2548HIR-12CRD179	12
30.48	33.02	SCT2548HIR-13CRD179	13
33.02	35.56	SCT2548HIR-14CRD179	14
35.56	38.10	SCT2548HIR-15CRD179	15
38.10	40.64	SCT2548HIR-16CRD179	16
40.64	43.18	SCT2548HIR-17CRD179	17

					OPERATION	DRAW	Zhong	2021.08.24	SCALE	—	<p>SCONDAR ELECTRONIC LIMITED</p>		
					X. X ±0.30	DESIGN			UNIT	mm			
					X. XX ±0.20				SIZE	A4			
					X. XXX ±0.10	CHECK	Lisa	2021.08.24	SHEET	1/1		Part No.	SCT2548HIR-xxCRD179-24
AO		NEW			Angle ±3°	APPROVE			PROJ.	⊕		TITLE:	2.54mm Pitch Wire to Board Housing xx Circuits PA66 V2 Red
REV	DATE	MODIFICATION DESCRIPTION	CHANGE	APPROVE	DIM TOL								