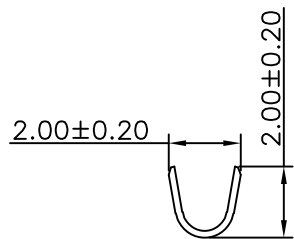
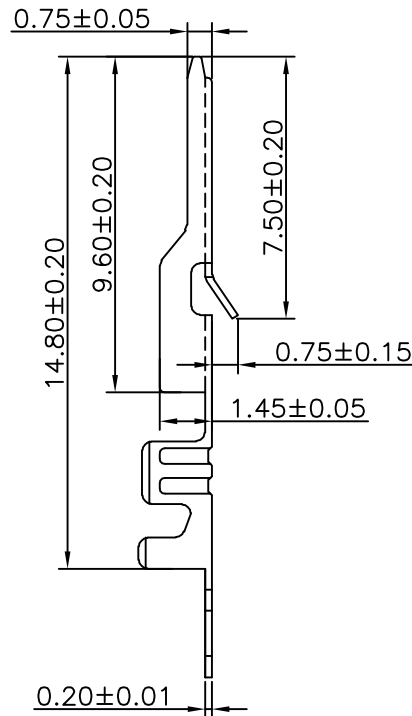
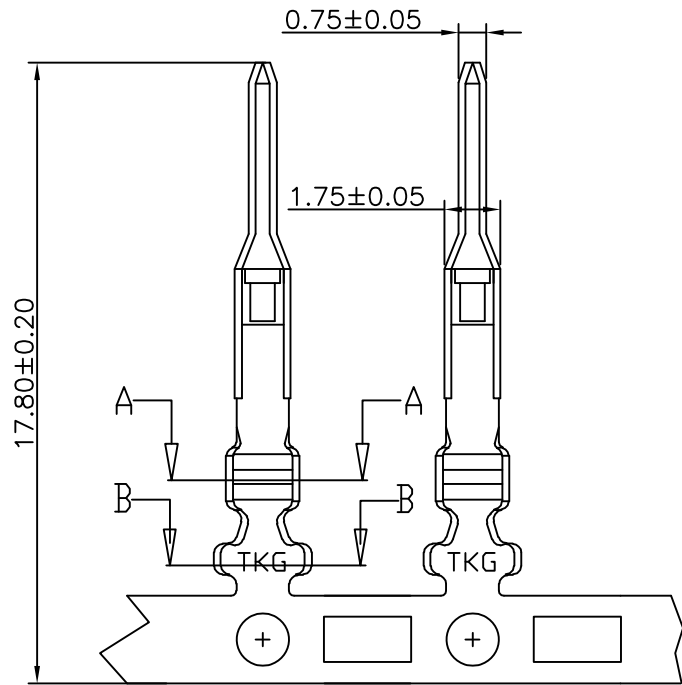
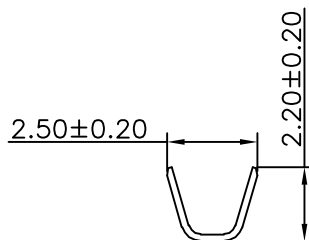


RoHS



SECTION:A-A



SECTION:B-B

Specification:

- Current Rating: 4A AC/DC
- Voltage Rating: 250V AC/DC
- Insulation Resistance: 1000MΩ(Min)
- Contact resistance: 20mΩ(Max).
- Withstanding Voltage: 1000VAC(Min)
- Operation Temperature: -25°C to +85°C

Material:

- Wire Range:22-28AWG(OD:1.55mm)
- Material: Phosphor Bronze,T=0.20mm
- Finish: Tin Plated
- Q'TY: 10,000Pcs/Reel

Ordering Information

SCT2541MT P S 134

Material:
P=Phosphor Bronze S=Tin Plated

东莞市晟凯达电子科技有限公司
工程专用章

受控

					OPERATION	DRAW	Peng	2021.07.06	SCALE	-	 SCONDAR ELECTRONIC LIMITED	
					X.X ±0.35	DESIGN			UNIT	mm		
					X.XX ±0.25				SIZE	A4		
A1	2021.07.06	Changed from SCT2541-MTP to SCT2541MTPS134			X.XXX ±0.15	CHECK	Lisa	2021.07.06	SHEET	1/1	PART NO.	SCT2541MTPS134
AO	2018.03.03	NEW			Angle ± 3'	APPROVE	Allen	2021.07.06	PROJ.	☯	TITLE:	MX 2.54mm Male Terminal
REV	DATE	MODIFICATION DESCRIPTION	CHANGE	APPROVE	DIM TOL							