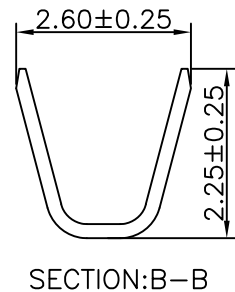
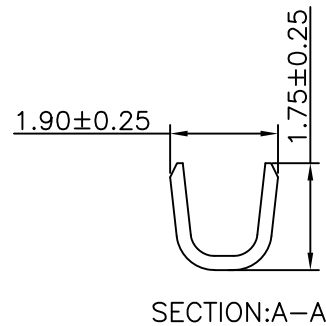
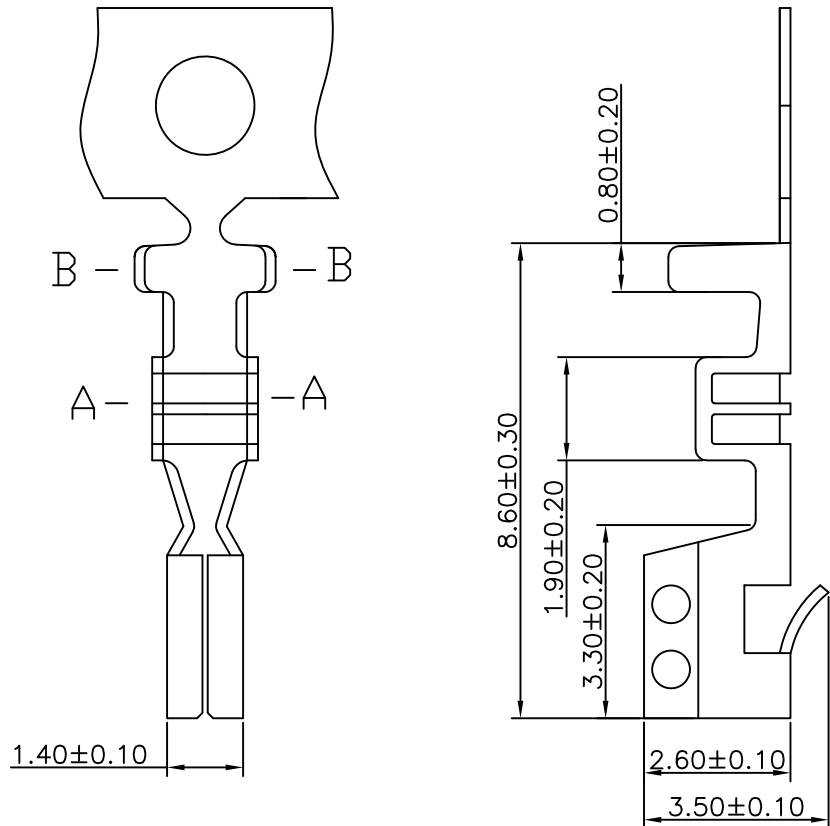


RoHS



Specification:

- Current Rating: 2A AC/DC
- Voltage Rating: 250V AC/DC
- Insulation Resistance: 800MΩ(Min)
- Withstanding Voltage: 500VAC(Min)
- Contact resistance: 20mΩ(Max).
- Operation Temperature: -25°C to +85°C

Material:


- Wire Range: 22AWG~28AWG(OD:1.8mm)
- Material: Brass, T=0.20mm
- Finish: Tin Plated
- Q'TY: 7,000Pcs/Reel

Ordering Information

SCT2508FT B S 115

Material:
B=Brass

Contact Plated
S=Tin Plated

					OPERATION	DRAW	Peng	2021.07.07	SCALE	-	 SCONDAR ELECTRONIC LIMITED	
					X.X	±0.35			UNIT	mm		
A1	2021.07.07	Changed from SCT2508FTP to SCT2508FTBS115			X.XX	±0.25			SIZE	A4		
AO	2015.03.03	NEW			X.XXX	±0.15	Lisa	2021.07.07	SHEET	1/1		
REV	DATE	MODIFICATION DESCRIPTION	CHANGE	APPROVE	Angle	± 3'	Allen	2021.07.07	PROJ.	⊕	PART NO.	SCT2508FTBS115
					DIM	TOL					TITLE:	MX5240 2.50mm Female Terminal