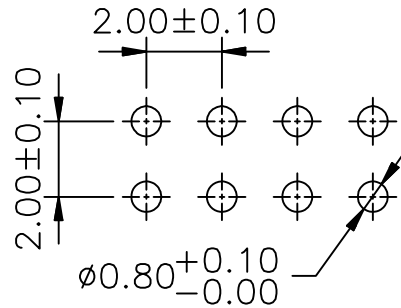


RoHS

Recommended P.C.B Layout

General Tolerance ± 0.05



东莞市晟凯达电子科技有限公司
工程专用章

Specification:

- Current Rating: 2A AC/DC
- Voltage Rating: 250V AC/DC
- Insulation Resistance: 1000M Ω Min
- Withstanding Voltage: 800VAC(1Min)
- Contact resistance: 30m Ω (Max).
- Operation Temperature: -25 $^{\circ}$ C to +85 $^{\circ}$ C

Material:

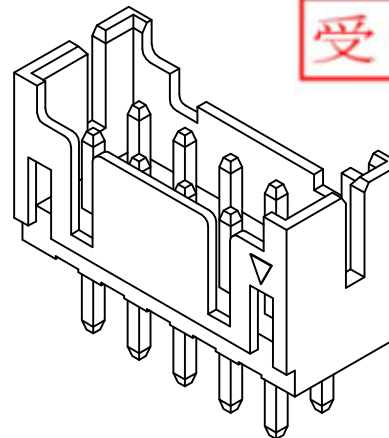
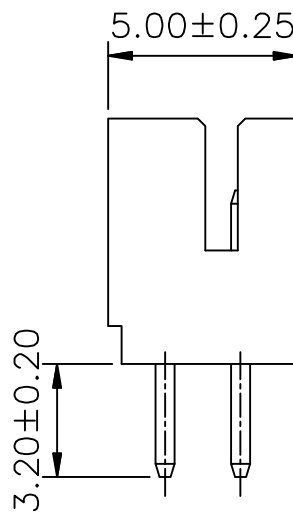
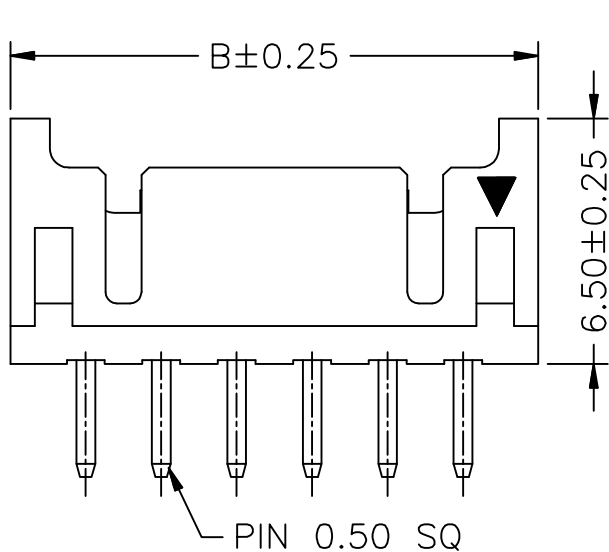
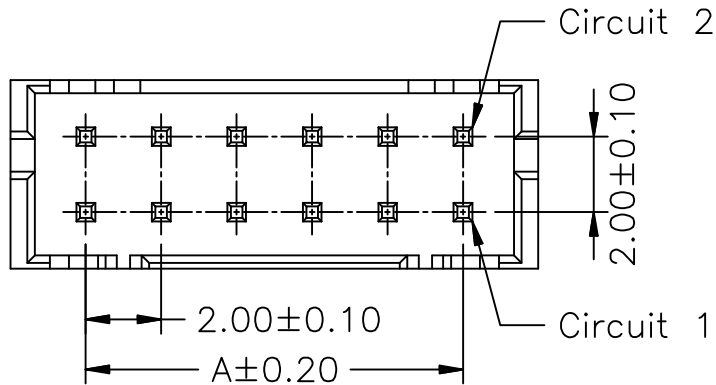
- Insulator (Housing): PA66 (UL94V-0)
- Contacts: Brass Tin Plated
- Color: Black

Ordering Information

SCT2011WV - 2** B 0 BK 107

No. of Pins See Table
Insulation B=PA66
Package 0=PE Bag
Color BK=Black

受控



2*12	22.00	26.00	2*20	38.00	42.00
2*11	20.00	24.00	2*19	36.00	40.00
2*10	18.00	22.00	2*18	34.00	38.00
2*9	16.00	20.00	2*17	32.00	36.00
2*8	14.00	18.00	2*16	30.00	34.00
2*7	12.00	16.00	2*15	28.00	32.00
2*6	10.00	14.00	2*14	26.00	30.00
2*5	8.00	12.00	2*13	24.00	28.00
Poles	A		Poles	B	
	Dimensions			Dimensions	

REV	DATE	MODIFICATION DESCRIPTION	CHANGE	APPROVE	OPERATION	DRAW	Peng	2021.07.12	SCALE	
A1	2021.07.12	Changed from SCT2011WV-2xxP to SCT2011WV-2xxB0BK107			X.X	DESIGN			UNIT	mm
AO	2015.05.15	NEW			X.XX	CHECK	Lisa	2021.07.12	SIZE	A4
					X.XXX	APPROVE	Allen	2021.07.12	SHEET	1/1
					Angle				PART NO.	SCT2011WV-2xxB0BK107
					DIM				TITLE:	DF11 2.00mm 180° Wafer

SCONDAR ELECTRONIC LIMITED