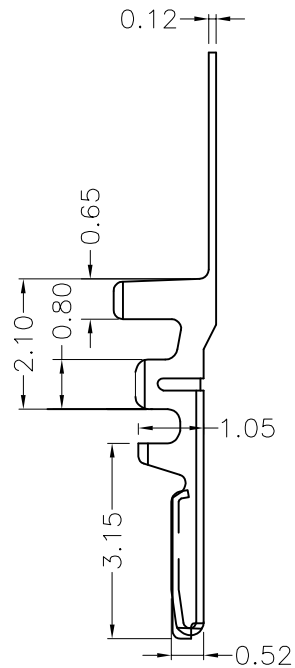
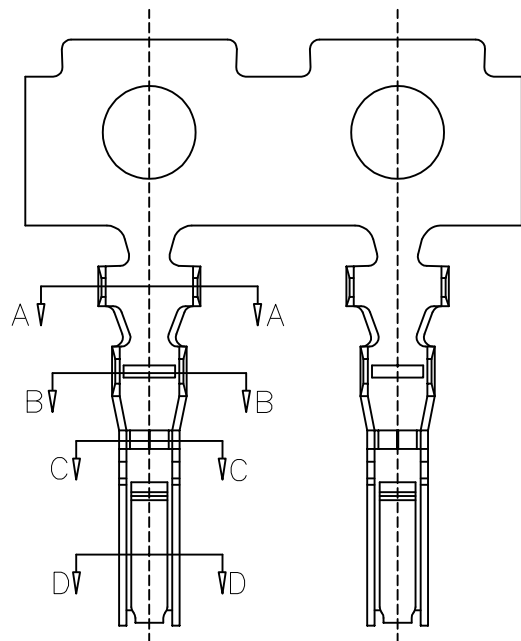


RoHS



Specification:

- Current Rating: 1.0A AC/DC
- Voltage Rating: 50V AC/DC
- Insulation Resistance: 100MΩ Min
- Withstanding Voltage: 500VAC(1Min)
- Contact resistance: 30mΩ(Max).
- Operation Temperature: -25°C to +105°C

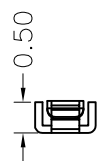
Material:

- Material: Phosphor Bronze
- Finish: Gold Plated
- Applicable Wires: 32AWG~26AWG
OD:0.4mm~ 1.0mm

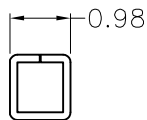
Ordering Information

SCT12580T **P** **G** 164

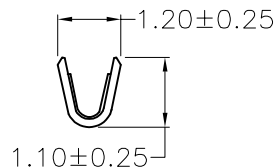
Material:
P=Phosphor Bronze Contact Plated
G=Gold Plated



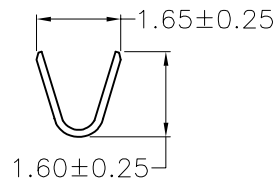
SEC:D-D



SEC:C-C



SEC:B-B



SEC:A-A

		SCONDAR ELECTRONIC, LTD ENGINEER 20241016			OPERATION	DRAW	Xiong	2021.05.22	SCALE	—			
			X.X	±0.30	DESIGN				UNIT	mm		SCONDAR ELECTRONIC LIMITED	
			X.XX	±0.20	CHECK	Lisa	2021.05.24		SIZE	A4			
A0	2021.05.22		NEW	—	—				SHEET	1/1		Part No	SCT12580TPG164
REV	DATE	MODIFICATION DESCRIPTION	CHANGE	APPROVE	Angle	DIM	TOL	APPROVE	PROJ.	⌀	TITLE:	GHD 1.25mm Phosphor bronze Gold Plated Terminal 26-32AWG MPQ=20Kpcs/Reel	