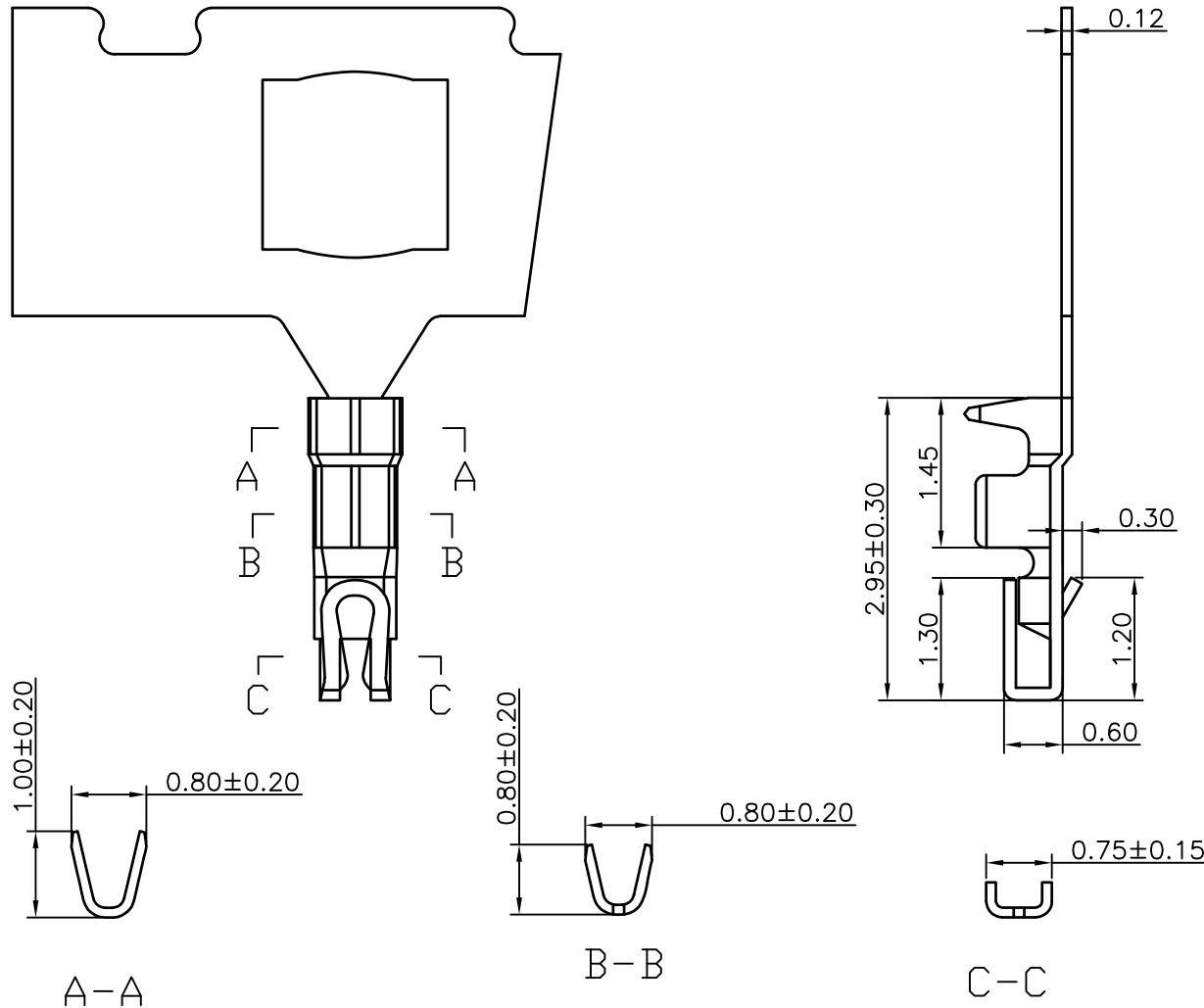


RoHS



Specification:

- Current Rating: 2A AC/DC
- Voltage Rating: 50V AC/DC
- Insulation Resistance: 100MΩ(Min)
- Contact resistance: 20mΩ(Max).
- Withstanding Voltage: 500VAC(Min)
- Operation Temperature: -25°C to +85°C



Material:

- Applicable Wires: 28AWG~32AWG
- Material: Phosphor Bronze, T=0.12mm
- Finish: Tin Plated/Gold Plated

Ordering Information

SCT1200 T P * 107

Material:
P=Phosphor Bronze
S=Tin Plated
G=Gold Plated

					OPERATION	DRAW	Peng	2021.07.05	SCALE	-	 SCONDAR ELECTRONIC LIMITED		
				X.X	±0.35	DESIGN			UNIT	mm			
				X.XX	±0.25		CHECK	Lisa	2021.07.05	SIZE		A4	
A1	2021.07.05	Changed from SCT1200-TP to SCT1200TPx107			X.XXX	±0.15	APPROVE	Allen	2021.07.05	SHEET		1/1	
AO	2009.03.03	NEW			Angle	± 3'			PROJ.	⊕	PART NO.	SCT1200TPx107	
REV	DATE	MODIFICATION DESCRIPTION	CHANGE	APPROVE	DIM	TOL					TITLE:	ACH 1.2mm Terminal	