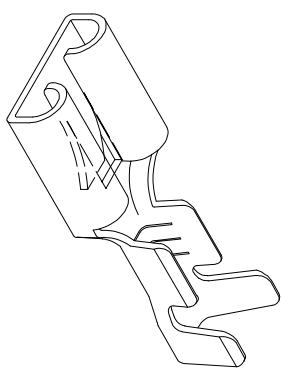
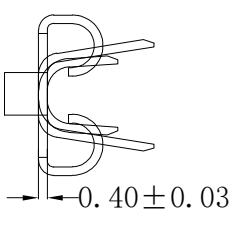
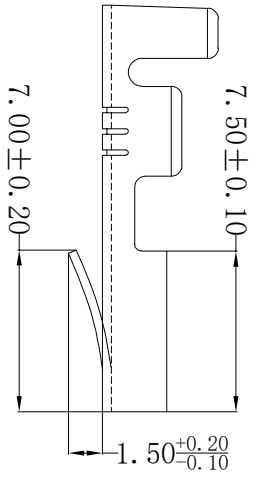
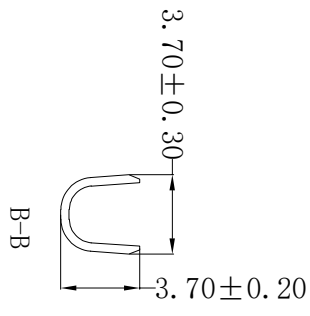
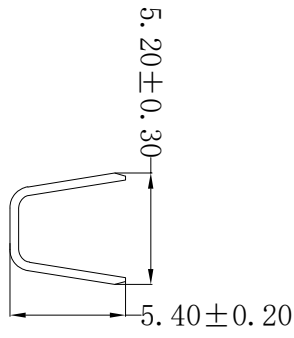
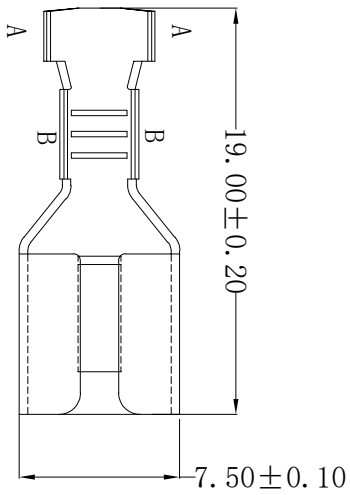


ROHS



Technical requirements:

- Material: Brass (黄铜)
- Applicable wire: 14~18Awg
- Connection Table: 6.3*0.8
- Surface treatment: Tin plating
- Appearance: the body should not be scratched or oxidized
- Meet rosh and customer environmental requirements

REV	DATE	MODIFICATION DESCRIPTION	CHANGE	APPROVE	OPERATION	DRAW	YANG	2016.06.06	SCALE	UNIT		SCONDAR ELECTRONIC LIMITED SCTST250081240C141
A0	2016.06.06	NEW			DESIGN	Lisa	2016.06.06	mm	A4			
REV	DATE	MODIFICATION DESCRIPTION	CHANGE	APPROVE	DIM	CHECK			SHEET	PROJ.	TITLE:	6.3x0.80 250# T=0.40 Crimp Female Terminal Brass Tin(Sn) Plating 14-18AWG Roel MPQ=5K/Pls
1					Angle				1/1			