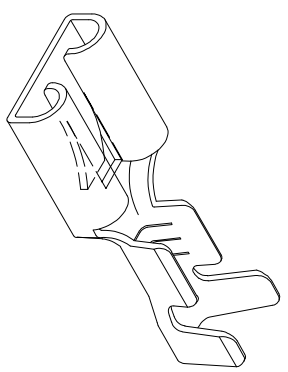
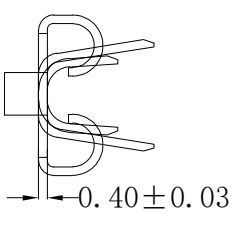
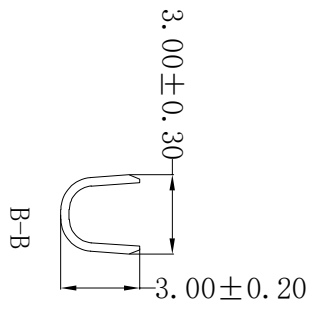
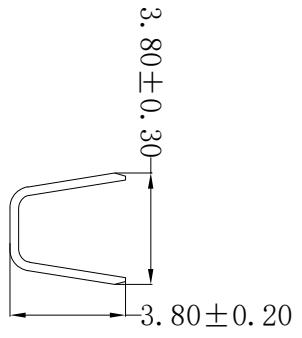
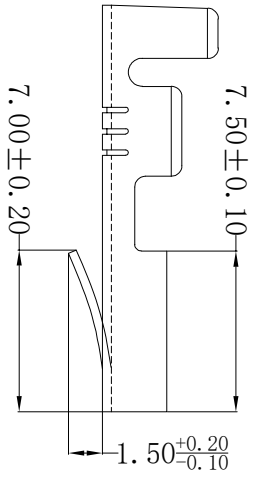
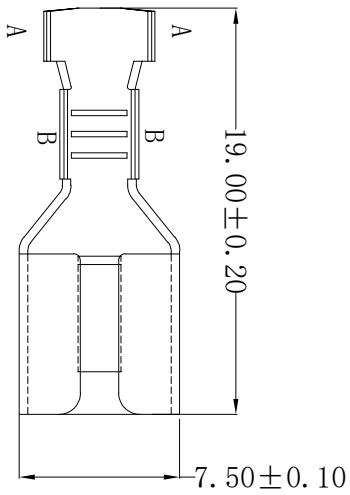


ROHS



Technical requirements:

- Material: Brass (黄铜)
- Applicable wire: 22~24AWg
- Connection Table: 6.3*0.8
- Surface treatment: Tin plating
- Appearance: the body should not be scratched or oxidized
- Meet rosh and customer environmental requirements

REV	DATE	MODIFICATION DESCRIPTION	CHANGE	APPROVE	OPERATION	DRAW	YANG	2016.06.06	SCALE	<p>SCONDAR ELECTRONIC LIMITED</p>
A0	2016.06.06	NEW	---	---	X.X	DESIGN		---	UNIT	
					X.XX	CHECK	Lisa	---	SIZE	
					X.XXX			2016.06.06	SHEET	PART NO.
					Angle	APPROVE			1/1	TITLE:
					±3°				PROJ.	6.3x0.80 250# T=0.40 Cr+mp Female Terminal Brass
					DIM					Tin(Sn) Plating 22-24AWG Roel MPQ=5RPs
					TOL.					