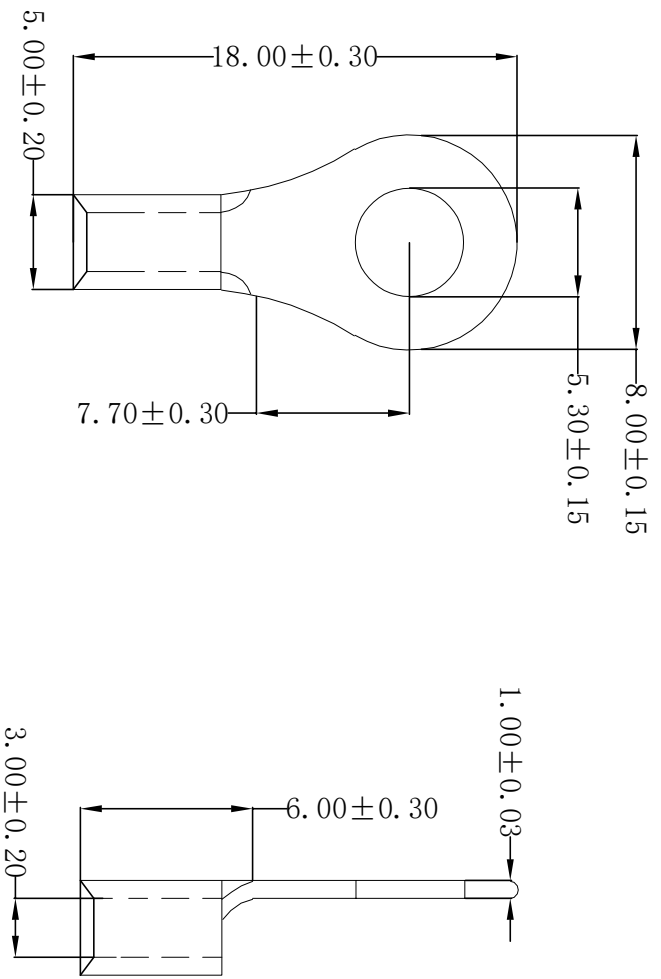



ROHS



**Technical requirements:**

- Material: Copper (紫铜)
- Applicable wire: 2.50~4.00mm<sup>2</sup>
- Surface treatment: Tin plating
- Plating thickness: 2.5um~5um
- Coating temperature: 120° /2H
- Max Current: 37A
- USA Screw: #10
- Appearance: the body should not be scratched or oxidized
- Meet rosh and customer environmental requirements

|     |            |                          |        |         |                |         |      |            |        |  |
|-----|------------|--------------------------|--------|---------|----------------|---------|------|------------|--------|--|
| REV | DATE       | MODIFICATION DESCRIPTION | CHANGE | APPROVE | OPERATION      | DRAW    | YANG | 2016.06.06 | SCALE  | <br><b>SCONDAR ELECTRONIC LIMITED</b> |
| A0  | 2016.06.06 | NEW                      | ---    | ---     | X.X<br>±0.35   | DESIGN  |      | ---        | UNIT   |  |
|     |            |                          |        |         | X.XX<br>±0.25  | CHECK   | Lisa | 2016.06.06 | SIZE   |  |
|     |            |                          |        |         | X.XXX<br>±0.15 | APPROVE |      |            | SHEET  | 1/1  |
|     |            |                          |        |         | Angle<br>±3°   |         |      |            | PROJ.  | ◆  |
|     |            |                          |        |         | DIM TOL        |         |      |            | TITLE: | PART NO.   |
|     |            |                          |        |         |                |         |      |            |        | SCTRMB3.5-5S141  |
|     |            |                          |        |         |                |         |      |            |        | Terminal 530R copper Tin plated 2.5~4.0mm <sup>2</sup> wire, ID:5.30mm OD:8.00mm MPQ=1kpcs                               |