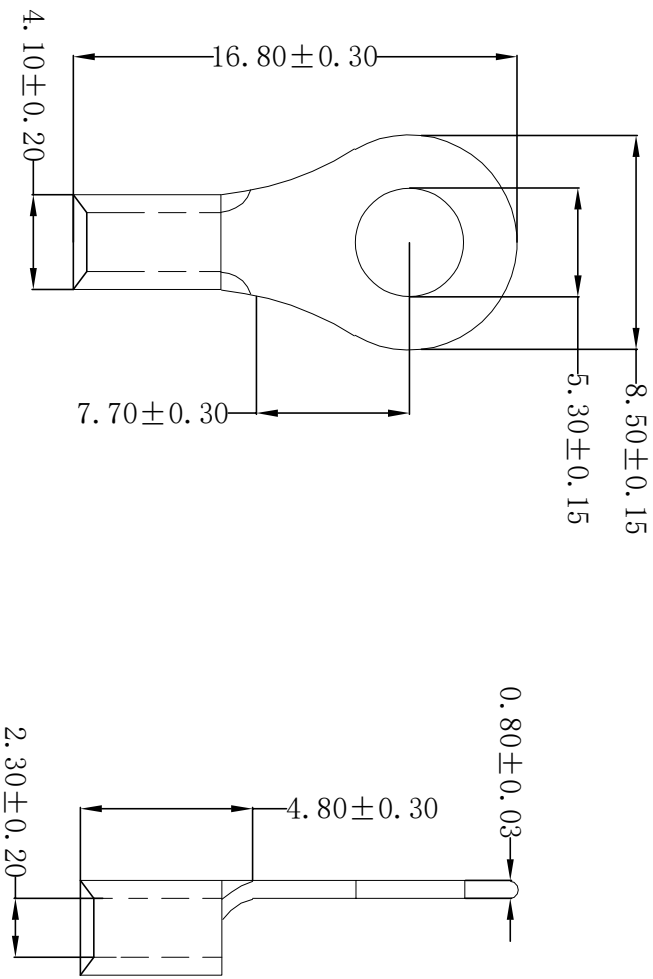


ROHS



Technical requirements:

- Material: Copper (紫铜)
- Applicable wire: 1.50~2.50mm²
- Surface treatment: Tin plating
- Plating thickness: 2.5um~5um
- Coating temperature: 120° /2H
- Max Current: 27A
- USA Screw: #10
- Appearance: the body should not be scratched or oxidized
- Meet rosh and customer environmental requirements
